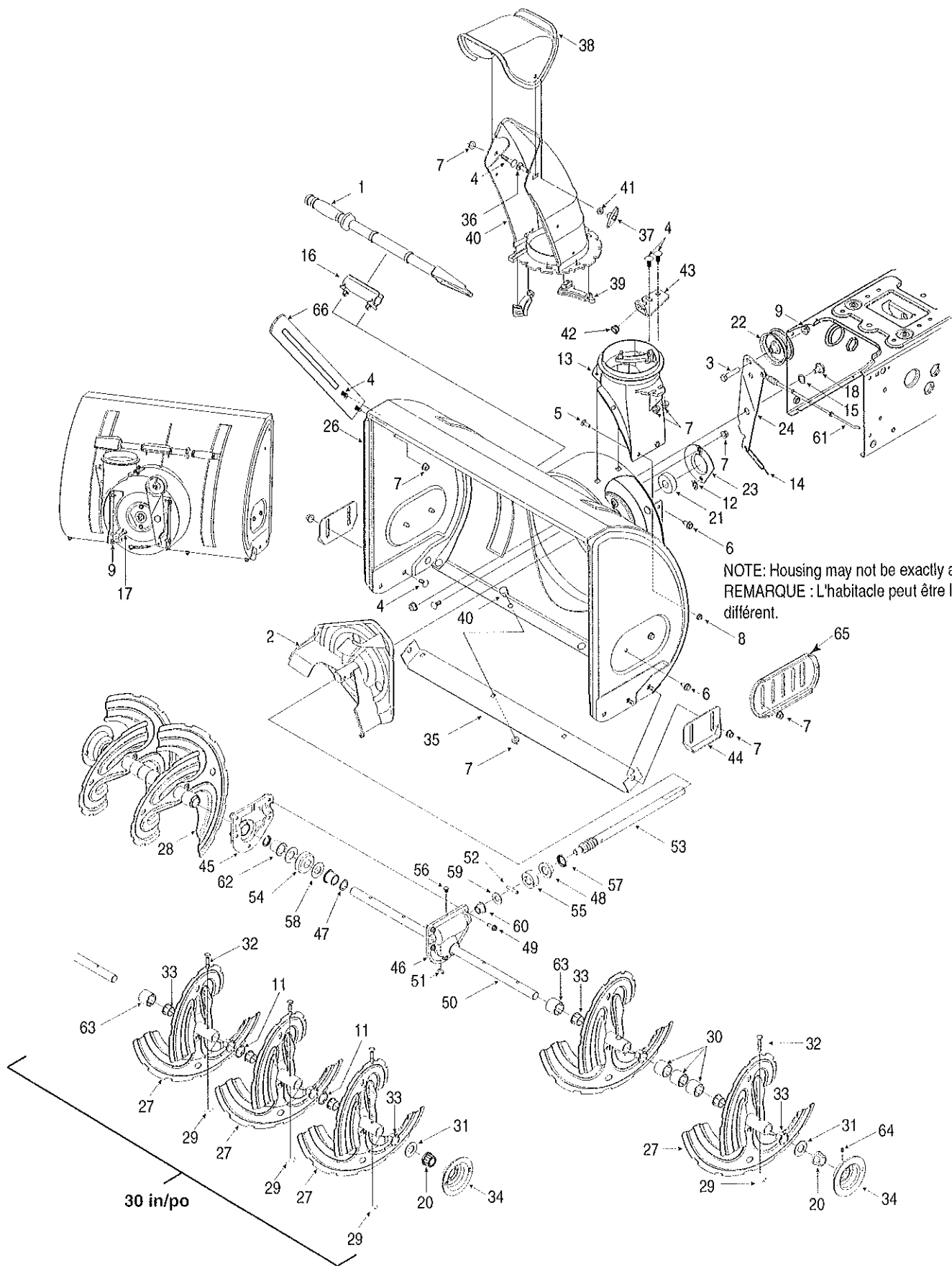


REF NO. N° DE REF	PART NO. N° DE PIÈCE	DESCRIPTION
1	710-1652	Hex Wash Hd TT Scr. 1/4-20 x .625
2	731-04792A	Belt Cover (w/4 Way Chute Control)
	731-05353	Belt Cover (Std.)
3	732-0705	Cable Control Wire
4	711-1268B	Drive Shaft Actuator
5	746-04229	Drive Clutch Cable 44.83" Lg.
6	732-04345	Extension Spring .5 OD x 1.71 Lg.
7	790-00207A	Guide Bracket - Drive Cable
8	684-04156	Shift Rod Ass'y
9	750-04474	Axle Support Tube
10	714-0126	#9 HI-Pro Key 3/16 x 3/4 Dia HT
11	710-0602	Hex Wash Hd Tapp Scr 5/16-18 x 1.00
12	717-04210	Gear, 56T
13	712-04063	Flange Lock-Nut 5/16-18 Gr. F Nylon
14	741-0245	Hex. Flange Bearing.751" ID
15	790-00206A	Guide Bracket - Auger Cable
16	756-0625	Cable Guide Roller
17	738-0924A	Hex Shld.Scr.1/4-28 x .375
18A	618-04288	Ocgg Assembly - LH
18B	618-04287	Ocgg Assembly - RH
19	726-04012	Push Nut
20	750-04477	Spacer .340 x .750 x .360" Lg.
21	790-00156	Shift Spacer Bracket
22	732-04311	Torsion Spring .750 ID x .968" Lg.
23	731-05297	Spacer
24	716-0104	Retaining Ring
25	736-0188	Flat Washer .760 ID x 1.49 OD
26	736-0626	Flat Washer .580 x 1.125 x .080
27	741-04076	Ball Bearing
28	738-04180	Axle
29	731-04873	Spacer
30	710-0654A	Hex Wash HD Tap Scr 3/8-16 x .88
31	710-0788	Hex Bolt 1/4-20 x 1.00
32	790-00185	Shaft Retainer - LH
33		See chart on page 23.
34	736-0242	Cupped Washer .345 ID x .88 OD x .060
35	710-0627	Hex L-Bolt 5/16-24 x .75 Gr. 5
36	684-04154	Friction Wheel Support Brkt Ass'y
37	790-00096	Auger Cable Guide Bracket
38	748-0190	Spacer .513 ID x 1.0
39	738-04184A	Shoulder Screw .373 x .105:TT 1/4-20
40	790-00226	Frame Cover
41	656-04025A	Friction Wheel Disc Assembly
42	618-04283	Drive Shaft Assembly (w/o Friction Wheel Ass'y)
42A	711-04416	Hex Drive Shaft (500)
42B	618-04284	Planetary Carrier Ass'y
42C	717-1209A	Gear 12T
42D	736-0502	Flat Washer .58 x 1.12 x .02
42E	736-0336	Flat Washer 5/8 ID x 1.0 OD
42F	717-1210A	Gear 18T
42G	618-04285	Ring Planetary Gear Ass'y (500)
42H	716-0194	Retaining Ring 1.56 diam.
43	684-04159	Friction Wheel Assembly
43A	735-04054	Friction Wheel Rubber
43B	790-00174	Friction Plate
44	716-0136	Retainer Ring
45	726-0221	Cap Speed Nut 1/4 Rod
46	790-00183	Wheel Drive Frame
47	756-04109	Auger Pulley
48	736-0505	Flat Washer .34 x 1.50 x .150
49	710-1245B	Hex Bolt 5/16-24 x 0.875
50	736-0119	L-Wash 5/16 ID
51	790-00230	Bearing Sleeve
52	741-0919	Ball Bearing 20 x 47 x 14:6204:DS
53	750-04571	Spacer
54	732-04308A	Torsion Spring .850 ID x .354" Lg.
55	710-0672	Hex HD. Cap Scr. 5/16-24 x 1.25 Lg.
56	756-04179	Pulley HalfL 1/4 V x 1.5 OD
57	754-04088	Belt 33.0" Lg.
58	710-0809	Hex Bolt 1/4-20 x 1.25
59	790-00208	Wheel Drive Idler Bracket
60	748-04112	Shoulder Spacer
61	732-0264	Extension Spring 3/8 OD x 2.50
62	712-0413	Jam L-Nut 5/8-18 Gr. 5 Nylon
63	750-04303	Spacer .875 ID x 1.185 OD
64	756-04113	Pulley Half
65	736-0247	Flat Washer .40 ID x 1.25 OD x .160
66	710-0191	Hex Screw 3/8-24 x 1.25
67	748-04053	Pulley Adapter
68	746-0956A	Steering Cable
69	790-00186	Shaft Retainer - RH
70	750-0767	Axle Spacer
71	712-04065	Flange Lock-Nut 3/8-16 Gr. F Nylon
72	754-04050	Belt .5 x 35.0" Lg.
73	710-0751	Hex Bolt 1/4-20 x .62 Gr. 5
74	790-00217A	Pivot Bracket
75	790-00218A	Shift Bracket
76	712-04064	Flange Lock-Nut 1/4-20 Gr. F Nylon
77	710-0896	Hex Wash. Hd. TT Scr. 1/4-14 x .625
78	736-0173	Flat Washer .28 ID x .74 DE x .063

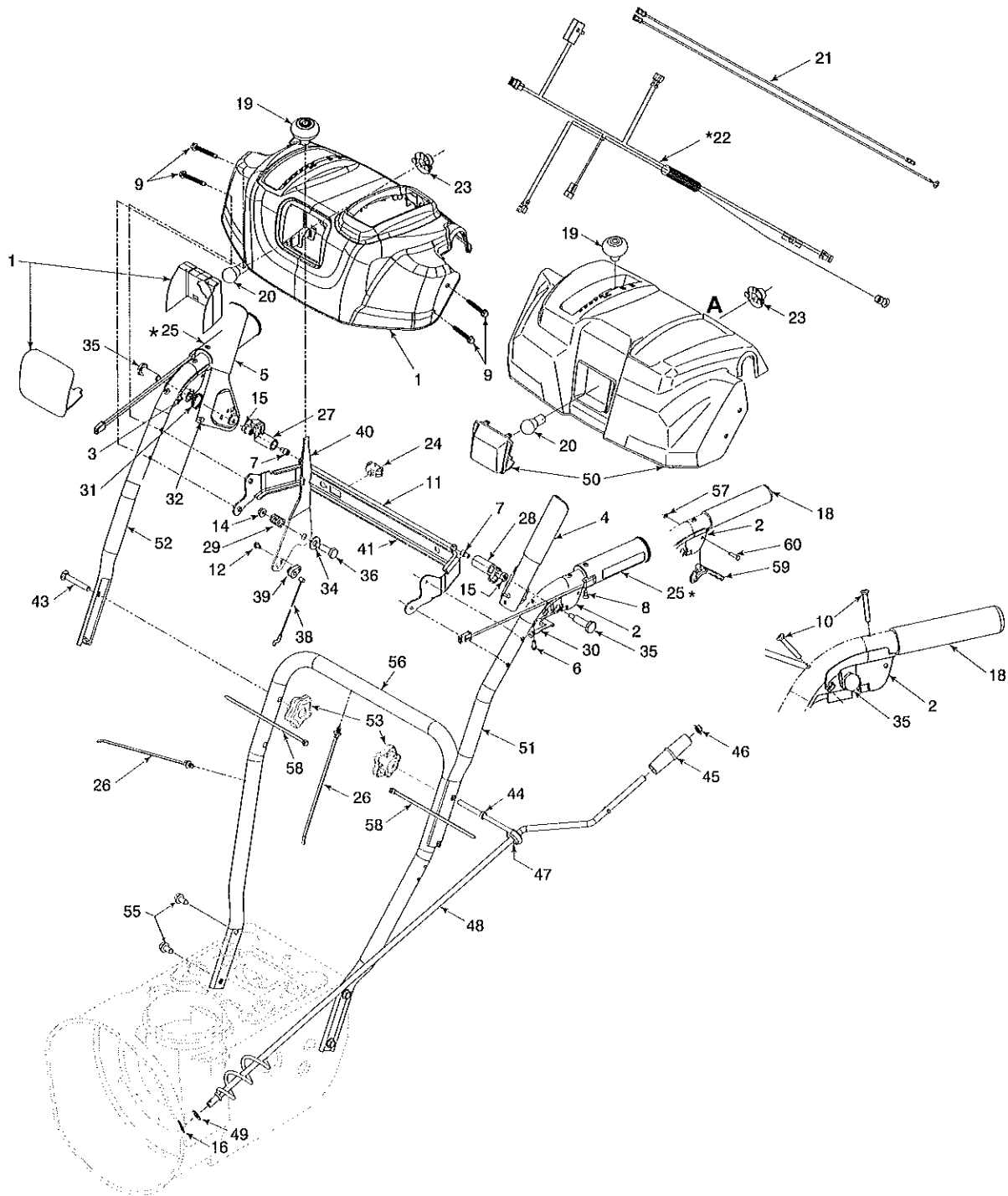
316-5003
5.31.06



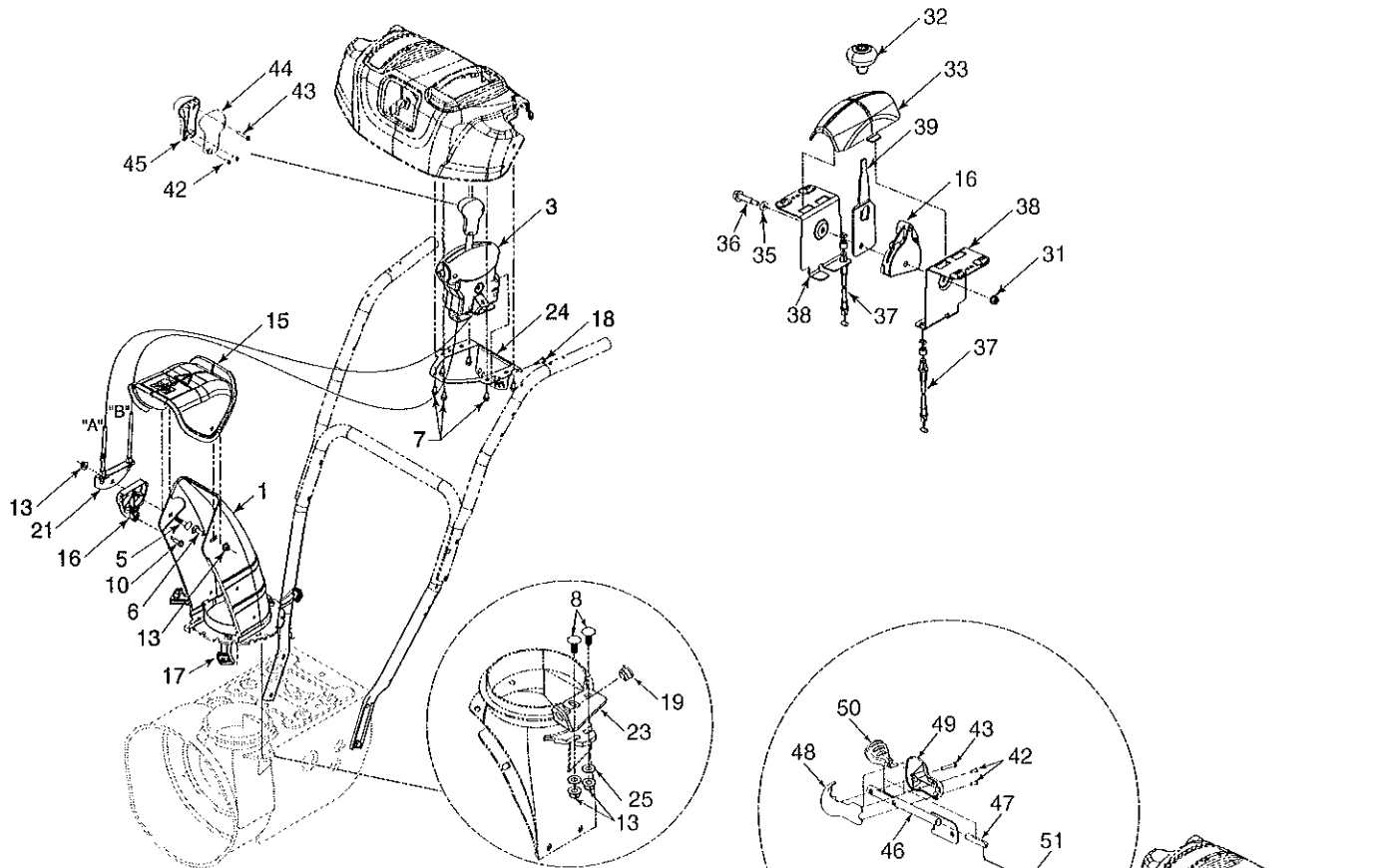
REF NO. N° DE RÉF	PART NO. N° DE PIÈCE	DESCRIPTION
1	731-2643	Clean-Out Tool
2	684-04057	Impeller Ass'y 12 po
3	710-0347	Hex Screw 3/8-16 x 1.75
4	710-0451	Carriage Bolt 5/16-18 x .75 Gr. 1
5	710-0703	Carriage Screw 1/4-20 x .75 Gr. 5
6	710-0604A	Hex Wash HD AB Tap Scr 5/16-18 x .625
7	712-04063	Flange Locknut 5/16-18 Gr. F Nylon
8	712-04064	Hex L-Flanged Nut 1/4-20 Gr. F Nylon
9	712-04065	Hex L-Flanged Nut 3/8-16 Gr. F Nylon
10	725-0157	Cable Tie
11	731-04871	Spacer 1.25 x .75 x 3/16" Lg.
12	726-04012	Push-on Nut .25 dia.
13	731-04705	Chute Adapter
14	732-0611	Extension Spring
15	736-0174	Wave Washer .660 ID x .88 OD x .010
16	731-02635	Cleanout Tool Mount
17	738-0143	Shld. Scr. .500 Dia. x .335" Lg.
18	738-0281	Shoulder Scr .625 Dia x .170
20	741-0245	Hex. Flange Brg. .751" I.D.
21	741-0309	Self-aligning bearing
22	756-0981B	Flat Idler Pulley 2.75" OD
23	790-00075	Bearing Housing 1.85 ID
24	790-00080A	Auger Idler Brake Bracket
26		See chart on page 28.
27	684-04107	Spiral Ass'y LH
28	684-04108	Spiral Ass'y RH
29	714-04040	Bow Tie Cotter Pin
30		See chart on page 28.
31	736-0188	Flat Washer .760 ID x 1.49 OD
32	738-04124A	Shear Pin .25 x 1.5 Gr. 2
33	741-0493A	Flange Bushing
34	790-00087A	Bushing Housing
	790-00138A	Bushing Housing (w/grease fitting hole)
35		See chart on page 28.
36	710-04071	Carriage Bolt 5/16-18 x 1.0
37	720-04072	Handle Knob Assembly
38	731-04354A	Upper Chute
39	731-04869	Chute Flange Keeper
40	731-04912A	Lower Chute
42	741-0475	Plastic Bushing
43	784-5647	Chute Crank Brkt.
44	784-5580	Slide Shoe
45	719-0319	RH Reduced Auger Housing
46	719-0320	LH Reduced Auger Housing
47	721-0179	Oil Seal 3/4 ID
48	741-0662	Flange Bearing .75 ID x 1.00 OD x .50
49	710-0642	Thd Forming Scr. 1/4-20 x .75
50		See chart on page 28.
51	714-0161	Hi Pro Key 3/16 x 5/8
52	715-04021	Dowel Pin .25 OD x 1.2
53	717-04126	Worm Shaft .75 OD
54	717-0528A	Worm Gear 20T
55	718-04071	Thrust Collar
56	721-0325	Plug, 1/4 x .437
57	721-0327	Oil Seal .75 x 1 x .131
58	736-0351	Flat Washer .76 ID x 1.5 OD x .03
59	736-3084	Fl. Washer .510 x 1.120 x .060
60	741-0663	Flange Bearing .75 ID x 1.0 OD x .925
61	746-0897	Auger Clutch Cable (w/"Z" fitting)
62	741-0661A	Flange Bearing .75 ID x 1.0 OD x .975
63	731-04870	Spacer 1.25 x .75 x 1.00
64	737-3000	Grease Fitting (optional)
65	790-00091	Reversible Slide Shoe
66	790-00181	Drift Cutter - Optional
67	734-0242	Cupped Washer .340 x 872 x .060
68	710-1260A	Hex Wash HD AB Tap Scr 5/16-18 x .75

Styles H, K, L, P & Q

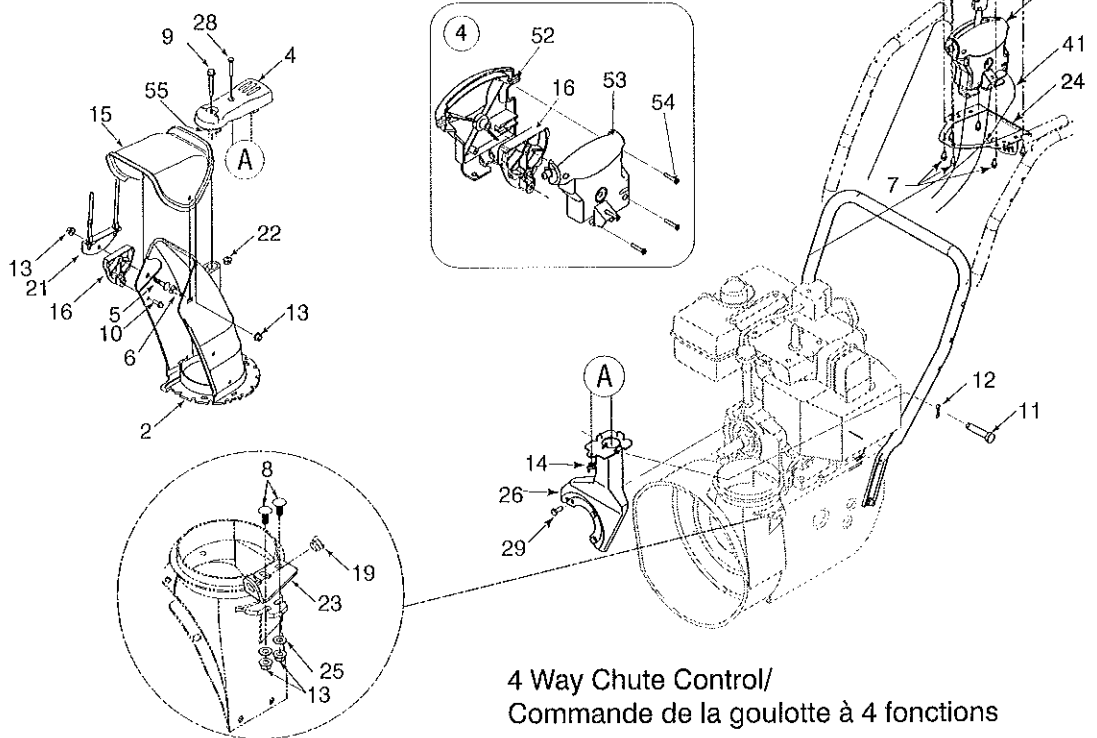
* With heated grips only.



REF NO. N° DE RÉF	PART NO. N° DE PIÈCE	DESCRIPTION
1	631-04180	Handle Panel Ass'y - Yellow
1	631-04185	Handle Panel Ass'y - Black
1	631-04183	Handle Panel Ass'y-Black w/Chute Control
2	631-04133	LH Clutch Lock Handle Ass'y
3	631-04134A	RH Clutch Lock Handle Ass'y
4	684-04105A	Engagement Handle Assembly LH
5	684-04106B	Engagement Handle Assembly RH
6	710-04326	Screw #8-16 x .50
7	710-04354	Screw 1/4-20 x .375
8	710-0837	Oval HD C-Sunk Scr #10 x 5/8
9	710-04586	Hex TT-Tap Scr 1/4-20 x 1.625
10	710-1233	Oval C-Sunk Hd Screw 10-24 x 1.375
11	711-04287	Pivot Rod
12	710-0224	Screw #10-16 x .50
14	712-04064	Hex L-Flanged Nut 1/4-20 Gr. F Nylon
15	712-04081A	Hex Shoulder Nut 1/4-20
16	714-0104	Int. Cotter Pin .072 x 1.13" Lg.
18	720-0274	Grip
19	720-04039	Shift Knob
19	720-04045	Shift Knob - Yellow
20	725-04213	Lamp #1295 (w/heated grips)
	725-1629	Lamp
21	725-04214	Wire Harness
22	725-04216A	Heated Grip Wire Harness
23	725-1649	Socket
24	725-4393	Switch
25	725-1757	Heated Grip
26	726-0470	Cable Tie 19 x 8.39" (w/plug)
	725-0157	Cable Tie (w/heated grips)
27	731-04894C	Lock Plate
28	731-04896B	Clutch Lock Cam
29	732-0193	Compression Spring .38 ID x .88 Lg
30	732-04219A	Spring: Clutch Lock
31	732-04238	Torsion Spring .8156 x .3038
32	735-0199A	Rubber Bumper
34	736-0267	Flat Washer .38 ID x .87 OD x .09
35	738-04122	Shoulder Screw 1/4-20 x 1.345
36	738-04125	Shoulder Screw .374 Dia. x 1.05 Lg.
38	746-04227A	Selector Speed Cable
39	746-0605	Cable Barrel Holder
40	790-00203	Shift Lever
41	790-00248	Panel Support
43	710-0449	Carriage Bolt 5/16-18 x 2.25
44	747-04263	Chute Crank Eye Bolt Special
45	720-0201A	Knob 1.0 x 3.2
46	726-0100	Push Nut 3/8" Rod
47	735-0234	Grommet
48	684-04104	Chute Crank Assembly
49	736-0185	Flat Washer .406" I.D. x .75" O.D.
50	631-04181	Handle Panel Ass'y - Troy-Bilt
51	749-04142	Upper Handle LH
51	749-04191	Upper Handle LH (Heated Grips)
52	749-04141	Upper Handle RH
52	749-04190	Upper Handle RH (Heated Grips)
53	720-04072	Handle Knob Assembly
55	710-1260A	Hex Wash HD Lo Tap Scr 5/16 x .75
56	749-04138	Lower Handle
57	716-04036	E Ring
58	725-0157	Cable Tie
59	731-04913	Steering Control
60	738-04126	Pin 3/16



2 Way Chute Control/
Commande de la goulotte à 2 fonctions



4 Way Chute Control/
Commande de la goulotte à 4 fonctions

REF NO. N° DE RÉF	PART NO. N° DE PIÈCE	DESCRIPTION
1	731-04131A	Lower Chute (2 Way)
2	731-04861A	Lower Chute (4 Way)
3	684-04117A	2 Way Chute Control Assembly
4	684-04116B	4 Way Chute Control Assembly
5	710-0262	Carriage Bolt 5/16-18 x 1.50 Gr. 2
6	710-04071	Carriage Screw 5/16-18 x 1.0
7	710-04187	Hi-Lo Screw 1/4-15 x .5
8	710-0276	Carriage Bolt 5/16-18 x 1.00" Lg
9	738-04194	Shoulder Screw .312 x 1.7:1/4-20
10	710-0895	Hex Tapp Scr 1/4 x .75" Lg.
11	711-04469A	Clevis Pin 3/8 x 1.87
12	714-04040	Bow Tie Cotter Pin
13	712-04063	Flange Locknut 5/16-18 Gr. F Nylon
14	712-03087	Wing Nut 1/4-20
15	731-04425A	Upper Chute w/Export Label, Remote
16	731-1313C	Cable Guide
17	731-04869	Chute Flange Keeper
18	738-04135	Shoulder Screw .25 x .50:10-24
19	741-0475	Plastic Bushing .380 ID
20	749-04155	Chute Support Tube
21	784-5594	Cable Bracket Chute Tilt
22	712-04064	Hex L-Flanged Nut 1/4-20 Gr. F Nylon
23	784-5647	Chute Crank Brkt.
24	790-00131	Bracket: Chute Control
25	736-0159	Flat Washer .349 ID x .879 OD x .063
26	684-04162	Support Bracket
27	710-04187	Hi-Lo Screw 1/4-15 x .50
28	710-0606	Hex Hd. Cap Screw 1/4-20 x 1.5 Gr. 5
29	710-0627	Hex Hd. Cap Screw 5/16-24 x .75
30	736-0463	Flat Washer .25 ID x .63 OD x .0515
31	712-04064	Flange Locknut 1/4-20 Gr. F, Nylon
32	720-04039	Knob
33	731-05307	Control Cover - 2 Way
35	736-0413	Spring Washer .390 x .625 x .012
36	738-04185	Flg Shlder Spacer .310 x .995 x 1/4-20
37	746-04238	Cable - 2 Way
38	790-00200	Mounting Bracket - 2 Way
39	790-00210	Lever - 2 Way
40	731-04889	Joystick Pulley
41	746-04166	Chute Rotation Cable
42	710-04352	Plastite Screw #6 x .375
43	710-04353	Plastite Screw #8 x 1.00
44	731-04891	RH Control Knob
45	731-04892	LH Control Knob
46	684-04115	Tube & Brkt. Lever Ass'y
47	731-04893	Plunger
48	731-04904	RH Trigger Control Knob
49	731-04905	LH Trigger Control Knob
50	731-04910	Trigger Levier
51	746-04164	Detent Cable
52	731-04888	Control Head Housing LH
53	731-04887	Control Head Housing RH
54	710-04353	Screw #8 x 1.0 Plastite
55	731-04889	Joystick Pulley