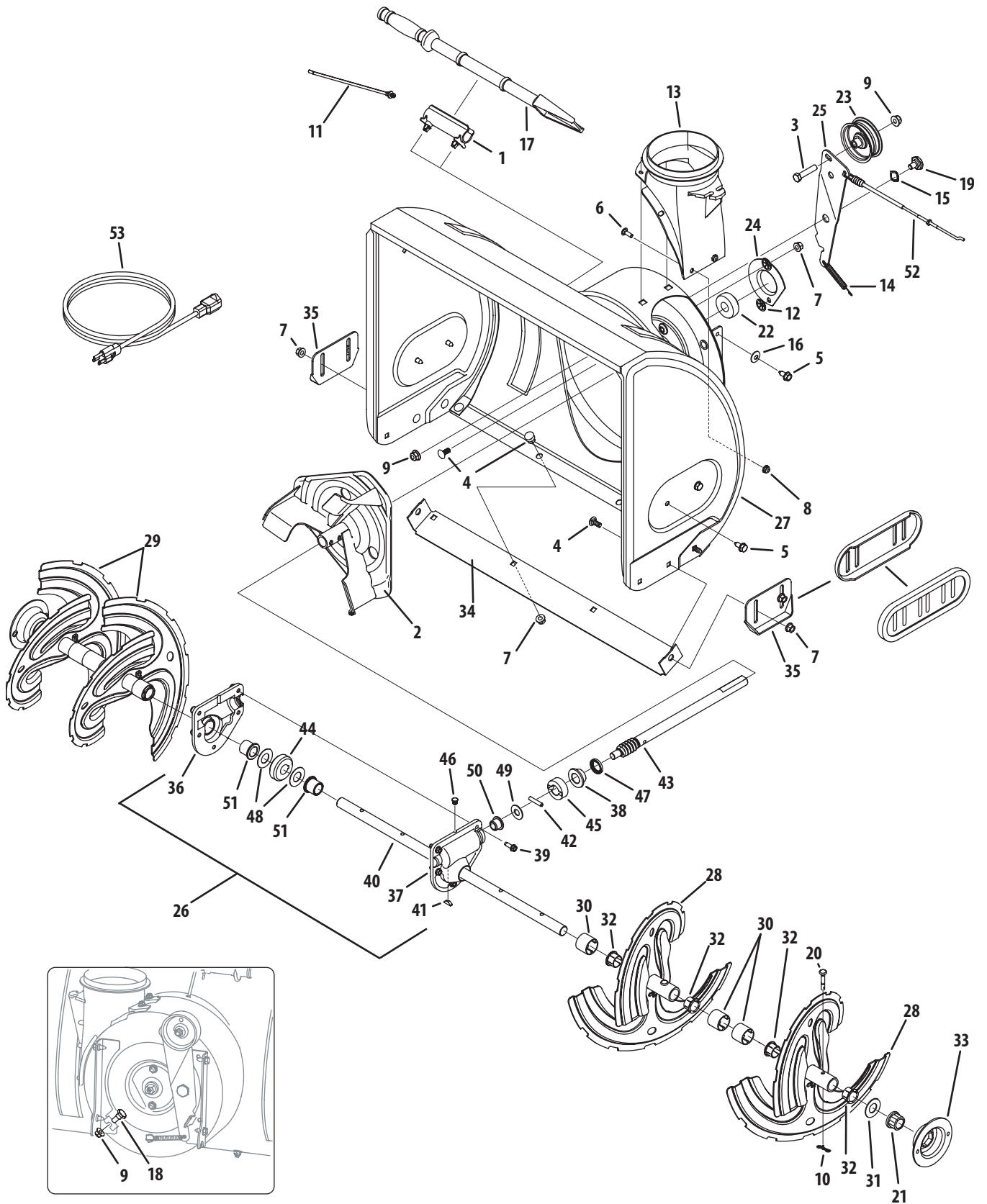


# Auger & Auger Housing

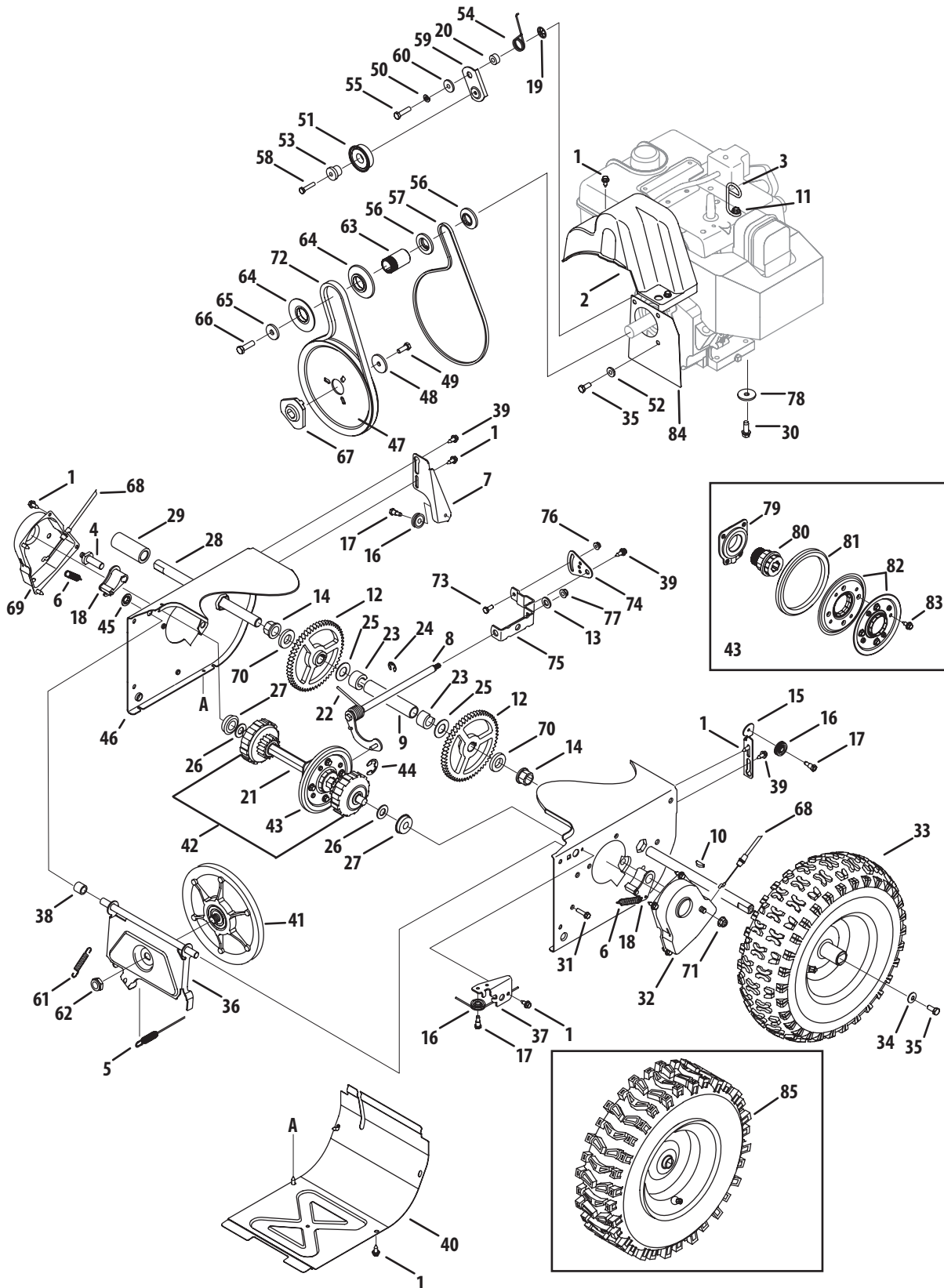


## Auger & Auger Housing

Ref.	Part Number	Description
1.	731-2635	Clean-out Tool Bracket
2.	684-04057A	Impeller Assembly, 12" Dia.
3.	710-0347	Hex Screw, 3/8-16, 1.75, Gr5
4.	710-0451	Carriage Bolt, 5/16-18, .750 Gr1
5.	710-04484	Screw, 5/16-18, 0.625
6.	710-0703	Carriage Screw, 1/4-20, .750, Gr5
7.	712-04063	Flange Lock Nut, 5/16-18, Nylon
8.	712-04064	Flange Lock Nut, 1/4-20, Nylon
9.	712-04065	Flaneg Lock Nut, 3/8-16, Nylon
10.	714-04040	Bow-tie Cotter Pin
11.	725-0157	Cable Tie, 3/16 x .05 x 7.4
12.	726-04012	Speed Nut
13.	731-04705	Chute Adapter
14.	732-04460	Extension Spring, .38 OD x 3.6
15.	736-0174	Wave Washer, .625 x .885 x .015
16.	736-0242	Bell Washer, .340 x .872 x .060
17.	731-2643	Clean-out Tool
18.	738-0143	Shoulder Screw, .498 x .34, 3/8-16
19.	738-0281	Shoulder Screw, .625 x .17, 3/8-16
20.	738-04124A	Shear Pin, .25 x 1.50
21.	741-0245	Hex Flange Bearing x .75 ID
22.	741-0309	Ball Bearing, .75 ID x 1.85 OD
23.	756-0981B	Idler Pulley, 2.75 OD
24.	790-00075	Bearing Housing, 1.85 ID
25.	790-00080A	Auger Idler Bracket w/ Brake
26.	618-04170A	AUger Gearbox Assembly, 22"
—	618-04171A	Auger Gearbox Assembly, 24"
—	618-04172A	Auger Gearbox Assembly, 26"
—	618-04173A	Auger Gearbox Assembly, 28"
—	618-04194A	Auger Gearbox Assembly, 30"
27.	684-04226	Auger Housing Assembly, 22"
—	684-04265	Auger Housing Assembly, 24"
—	684-04264	Auger Housing Assembly, 26"
—	684-04268	Auger Housing Assembly, 28"
—	684-04273	Auger Housing Assembly, 30" (TB)

Ref.	Part Number	Description
28.	684-04107	Spiral Assembly, LH
29.	684-04108	Spiral Assembly, RH
30.	731-04870	Spacer, 1.25 OD x .75 ID x 1.00
31.	736-0188	Flat Washer, .76 x 1.49 x .06
32.	741-0493A	Flange Bushing, .80 ID x .91 OD
33.	790-00087A	1" Hex Bearing Housing
34.	790-00117	Shave Plate, 22"
—	790-00120	Shave Plate, 24"
—	790-00121	Shave Plate, 26"
—	790-00118	Shave Plate, 28"
—	790-00119	Shave Plate, 30"
35.	790-5580	Skid Shoe, Standard
—	790-00091	Skid Shoe, Deluxe
—	790-05984	Skid Shoe, Plastic
36.	618-0124A	Auger Housing, RH Reduced
37.	618-0123A	Auger Housing, LH Reduced
38.	741-0662	Flange Bearing, .75 x 1.0 x .59
39.	710-0642	Sel-tapping Screw, 1/4-20, 0.750
40.	711-04286	Auger Axle, 22"
—	711-04285	Auger Axle, 24"
—	711-04284	Auger Axle, 26"
—	711-04283	Auger Axle, 28"
—	711-04282	AUger Axle, 30"
41.	714-0161	Hi-pro Key, 3/16 x 5/8
42.	715-04021	Dowel Pin, .25 OD x 1.2
43.	717-04126	Worm Shaft, .75 OD
44.	717-04449	Worm Gear, 20T
45.	718-04071	Thrust Collar
46.	721-0325	Plug, 1/4 x .437
47.	721-0327	Oil Seal, .75 x 1 x .131
48.	736-0351	Flat Washer, .760 ID x 1.5 OD
49.	736-3084	Flat Washer, .51 x 1.12
50.	741-0663	Flange Bearing, .75 x 1.0 x .925
51.	741-0661A	Flaneg Bearing, .75 x 1.00 x .975
52.	746-04230	Auger Clutch Cable, 47.23"
53.	629-0071	Extension Cord, 110V, 3-Prong

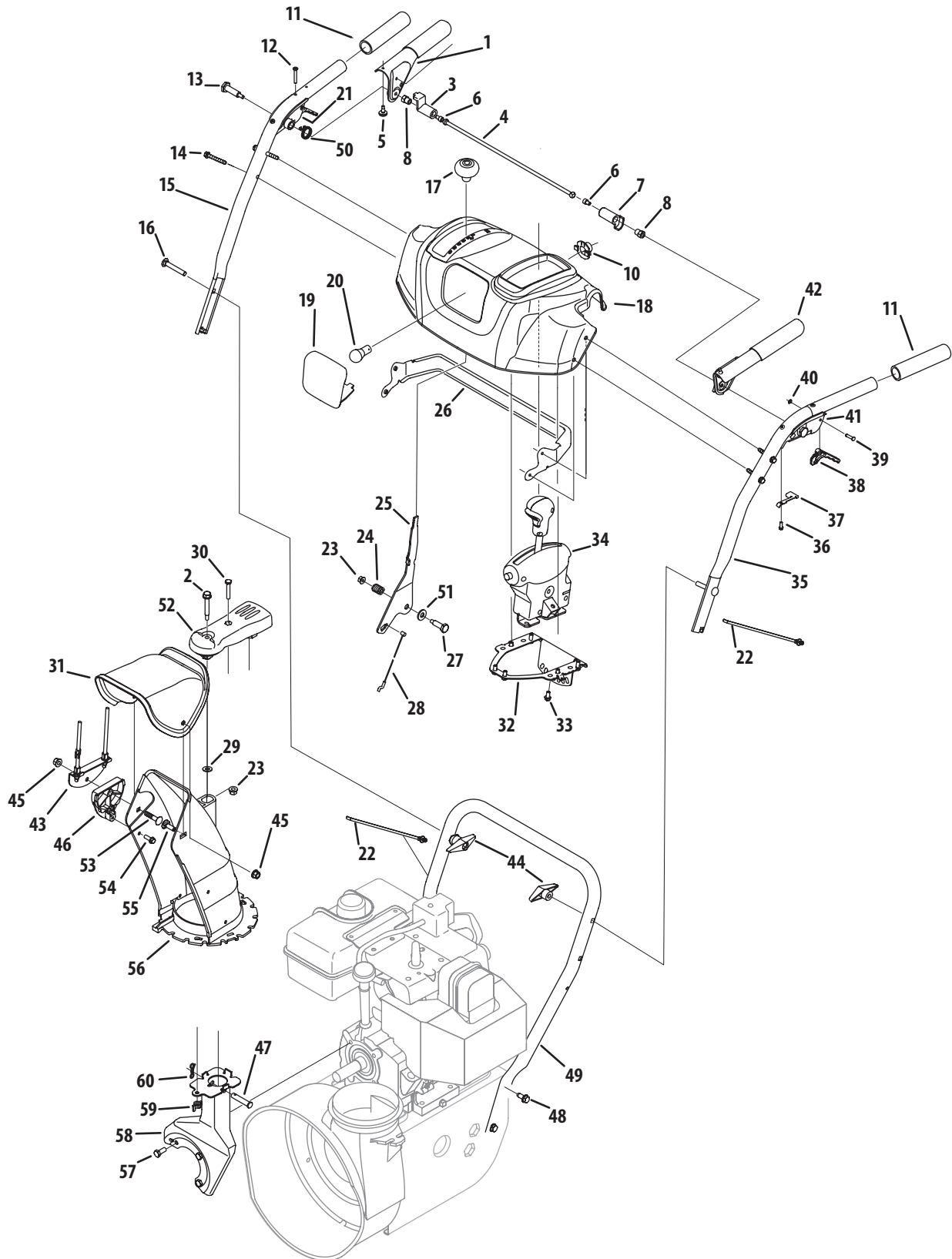
# Drive System



Ref.	Part Number	Description
1.	710-1652	AB Screw, 1/4-20 x 0.625
2.	731-05353	Belt Cover
3.	732-0705	Cable Guide
4.	711-1268B	Actuator Shaft
5.	746-04229	Drive Clutch Cable
6.	732-04345	Extension Spring
7.	790-00207A	Drive Clutch Cable Guide Bracket
8.	684-04156A	Shift Rod Assembly
9.	750-04474	Axle Support Tube
10.	714-0126	Hi-pro Key
11.	710-0602	TT Screw, 5/16-18 x 1.00
12.	717-04210	Gear, 56T
13.	736-3015	Flat Washer
14.	741-0245	Hex Flange Bearing
15.	790-00206A	Auger Clutch Cable Guide Bracket
16.	756-0625	Cable Roller
17.	738-0924A	C Screw, 1/4-28 x 0.375
18.	618-04288	Dogg Assembly - LH
—	618-04287	Dogg Assembly - RH
19.	726-04012	Speed Nut
20.	750-04477	Spacer
21.	711-04416	Hex Drive
22.	732-04311	Torsion Spring, .750ID x .968 Lg.
23.	731-05297	Spacer
24.	716-0104	E Ring
25.	736-0188	Flat Washer, .76 x 1.49 x .06
26.	736-0626	Flat Washer
27.	741-04076	Ball Bearing
28.	738-04180	Axle
29.	731-04873	Spacer
30.	710-0654A	TT Sems Screw, 3/8-16 x 1.0
31.	710-0788	TT Screw, 1/4-20 x 1.0
32.	790-00185	Shaft Retainer - LH
33.	634-04141	Wheel Complete
34.	736-0242	Bell Washer
35.	710-0627	Hex Bolt, 5/16-24 x 0.75
36.	684-04154	Friction Wheel Support Brkt. Assy.
37.	790-00096	Auger Cable Guide Bracket
38.	748-0190	Spacer
39.	738-04184A	Shoulder Screw
40.	790-00316	Frame Cover
41.	656-04025A	Friction Wheel Disc Assembly
42.	618-04283	Drive Shaft Assembly
43.	684-04159	Friction Wheel Assembly

Ref.	Part Number	Description
44.	716-0136	Retainer Ring
45.	726-0221	Speed Nut
46.	790-00183	Wheel Drive Frame
47.	756-04109	Auger Pulley
48.	736-0505	Flat Washer
49.	710-1245B	Hex Bolt, 5/16-24 x 0.875
50.	736-0119	Lock Washer
51.	684-04169	Pulley Assembly
52.	748-0234	Shoulder Spacer
53.	750-04571	Spacer
54.	732-04308A	Torsion Spring
55.	710-0672	Hex Screw, 5/16-24 x 1.25
56.	756-04252	Pulley Half
57.	754-0367	V-Belt, 2L x 33
58.	710-0809	TT Screw, 1/4-20 x 1.25
59.	790-00208B	Drive Clutch Idler Bracket
60.	748-04112	Shoulder Spacer
61.	732-0264	Extension Spring
62.	712-0413	Jam Lock Nut, 5/8-18
63.	750-04303	Spacer
64.	756-04113	Pulley Half
65.	736-0247	Flat Washer
66.	710-0191	Hex Bolt, 3/8-24 x 1.25
67.	748-04053A	Pulley Adapter
68.	746-0956A	Steering Cable
69.	790-00186	Shaft Retainer - RH
70.	750-0767	Axle Spacer
71.	712-04065	Flange Lock Nut, 3/8-16
72.	754-04050	V-Belt,.500 x 35.00 Lg
73.	710-0751	Hex Screw, 1/4-20 x .620
74.	790-00217A	Speed Selector Pivot Bracket
75.	790-00218A	Speed Selector Shift Bracket
76.	712-04064	Flange Lock Nut 1/4-20
77.	712-04063	Flange Lock Nut 1/4-20
78.	736-320	Flat Washer
79.	618-0063A	Bearing Assembly
80.	718-04144	Friction Wheel Hub
81.	735-04054	Friction Wheel Rubber
82.	790-00174	Friction Wheel Plate
83.	710-0896	AB Screw
84.	790-00289A	Cover Plate
85.	634-04136	Wheel (Troy-Bilt) - LH
—	634-04137	Wheel (Troy-Bilt) - RH

# L-Style Handle, Frame & Discharge Chute

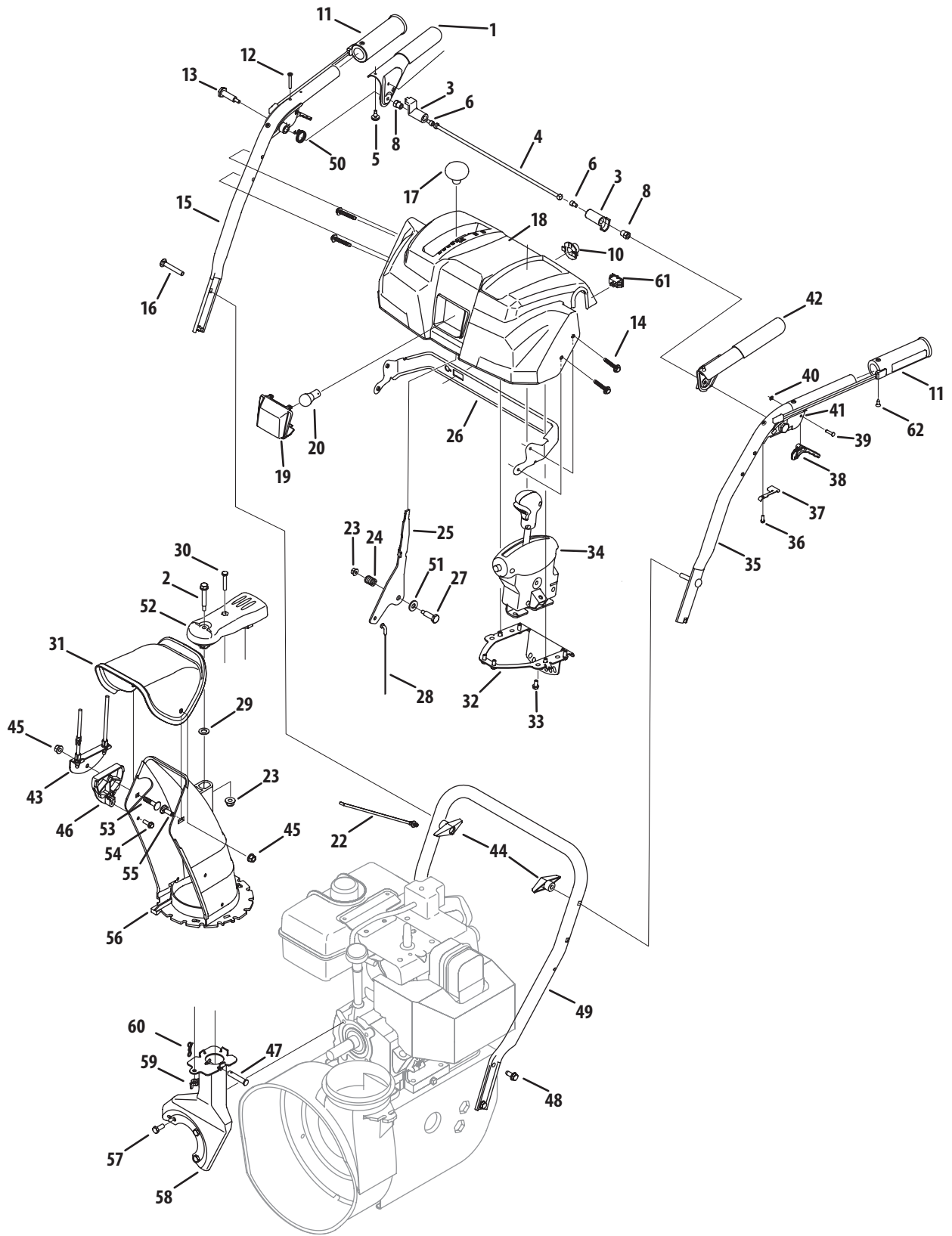


## L-Style Handle, Frame & Discharge Chute

Ref.	Part Number	Description
1.	684-04106B	Handle Engagement Assembly RH
2.	738-04194	Flange Shoulder Screw
3.	731-04894C	Lock Plate
4.	684-04250	Pivot Rod
5.	735-0199A	Rubber Bumper
6.	710-04354	Screw, 1/4-20 x.375
7.	731-04896B	Clutch Lock Cam
8.	712-04081A	Shoulder Nut, 1/4-20
9.	725-04214	Wire Harness (Not Shown)
10.	725-1649	Light Socket
11.	720-0274	Handle Grip
12.	710-1233	Screw, #10-24 x 0.375
13.	738-04122	Shoulder Screw, 1/4-20 x 1.345
14.	710-04586	Screw, 1/4-20 x 1.625
15.	749-04141A	Upper Handle RH
16.	710-0449	Carriage Screw, 5/16-18 x 2.25
17.	720-04039	Shift Knob
18.	631-04183	Handle Panel (Includes Ref. #19)
19.	731-05320	Lens
20.	725-1629	Lamp
21.	631-04134B	Handle Clutch Lock - RH
22.	725-0157	Cable Tie
23.	712-04064	Flange Lock Nut, 1/4-20
24.	732-0193	Compression Spring
25.	790-00311	Shift Lever
26.	790-00248A	Panel Bracket
27.	738-04125	Shoulder Screw
28.	746-04227A	Speed Selector Cable
29.	736-0463	Flat Washer, .25 x .630 x .0515
30.	710-0224	Screw, #10-16 x .500

Ref.	Part Number	Description
31.	731-04427A	Upper Chute
32.	790-00131	Joystick Bracket
33.	710-04187	Hi-Lo Screw, 1/4-15 x 0.5
34.	684-04116B	4-Way Chute Control™ Assembly
35.	749-04142A	Upper Handle LH
36.	710-04326	Screw, #8-16 x 0.50
37.	732-04219A	Clutch Lock Spring
38.	731-04913	Steering Control
39.	738-04126	Pin, 3/16
40.	716-04036	E Ring
41.	631-04133A	Handle Clutch Lock - LH
42.	684-04105B	Handle Engagement Assembly LH
43.	784-5594	Cable Bracket
44.	710-0449	Wing Knob
45.	712-04063	Flange Lock Nut, 5/16-18
46.	731-1313C	Chute Tilt Cable Guide
47.	711-04469A	Clevis Pin
48.	710-04484	Hex Screw
49.	749-04138	Lower Handle
50.	732-04238	Torsion Spring
51.	736-0267	Flat Washer
52.	731-04890A	Joystick Pulley Cover
53.	710-0262	Carriage Bolt, 5/16-18 x 1.50
54.	710-0895	Hi-Lo Screw, 1/4-15 x .75
55.	710-04071	Carriage Bolt, 5/16-18 x 1.0
56.	731-04861B	Lower Chute
57.	710-0627	Hex Screw, 5/16-24 x .750
58.	684-04162B	Chute Support Bracket
59.	712-3087	Wing Nut, 1/4-20
60.	714-04040	Bow Tie Cotter Pin

# Q-Style Handle, Frame & Discharge Chute





## Q-Style Handle, Frame & Discharge Chute

Ref.	Part Number	Description
1.	684-04106B	Handle Engagement Assembly RH
2.	738-04194	Flange Shoulder Screw
3.	731-04894C	Lock Plate
4.	684-04250	Pivot Rod
5.	735-0199A	Rubber Bumper
6.	710-04354	Screw, 1/4-20 x.375
7.	731-04896B	Clutch Lock Cam
8.	712-04081A	Shoulder Nut, 1/4-20
9.	725-04214	Wire Harness (Not Shown)
10.	725-1649	Light Socket
11.	725-1757	Heated Handle Grip
12.	710-1233	Screw, #10-24 x 0.375
13.	738-04122	Shoulder Screw, 1/4-20 x 1.345
14.	710-04586	Screw, 1/4-20 x 1.625
15.	749-04190A	Upper Handle RH
16.	710-0449	Carriage Screw, 5/16-18 x 2.25
17.	720-04039	Shift Knob
18.	631-04181	Handle Panel (Includes Ref. #19)
19.	731-05319	Lens
20.	725-04213	Lamp
21.	631-04134B	Handle Clutch Lock - RH
22.	725-0157	Cable Tie
23.	712-04064	Flange Lock Nut, 1/4-20
24.	732-0193	Compression Spring
25.	790-00311	Shift Lever
26.	790-00248A	Panel Bracket
27.	738-04125	Shoulder Screw
28.	746-04396	Speed Selector Cable
29.	736-0463	Flat Washer, .25 x .630 x .0515
30.	710-0224	Screw, #10-16 x .500
31.	731-04427A	Upper Chute

Ref.	Part Number	Description
32.	790-00131	Joystick Bracket
33.	710-04187	Hi-Lo Screw, 1/4-15 x 0.5
34.	684-04116B	4-Way Chute Control™ Assembly
35.	749-04191A	Upper Handle LH
36.	710-04326	Screw, #8-16 x 0.50
37.	732-04219A	Clutch Lock Spring
38.	731-04913	Steering Control
39.	738-04126	Pin, 3/16
40.	716-04036	E Ring
41.	631-04133A	Handle Clutch Lock - LH
42.	684-04105B	Handle Engagement Assembly LH
43.	784-5594	Cable Bracket
44.	710-0449	Wing Knob
45.	712-04063	Flange Lock Nut, 5/16-18
46.	731-1313C	Chute Tilt Cable Guide
47.	711-04469A	Clevis Pin
48.	710-04484	Hex Screw
49.	749-04138	Lower Handle
50.	732-04238	Torsion Spring
51.	736-0267	Flat Washer
52.	731-04890A	Joystick Pulley Cover
53.	710-0262	Carriage Bolt, 5/16-18 x 1.50
54.	710-0895	Hi-Lo Screw, 1/4-15 x .75
55.	710-04071	Carriage Bolt, 5/16-18 x 1.0
56.	731-04861B	Lower Chute
57.	710-0627	Hex Screw, 5/16-24 x .750
58.	684-04162B	Chute Support Bracket
59.	712-3087	Wing Nut, 1/4-20
60.	714-04040	Bow Tie Cotter Pin
61.	725-04393	Heated Grip Switch
62.	710-0837	AB Screw