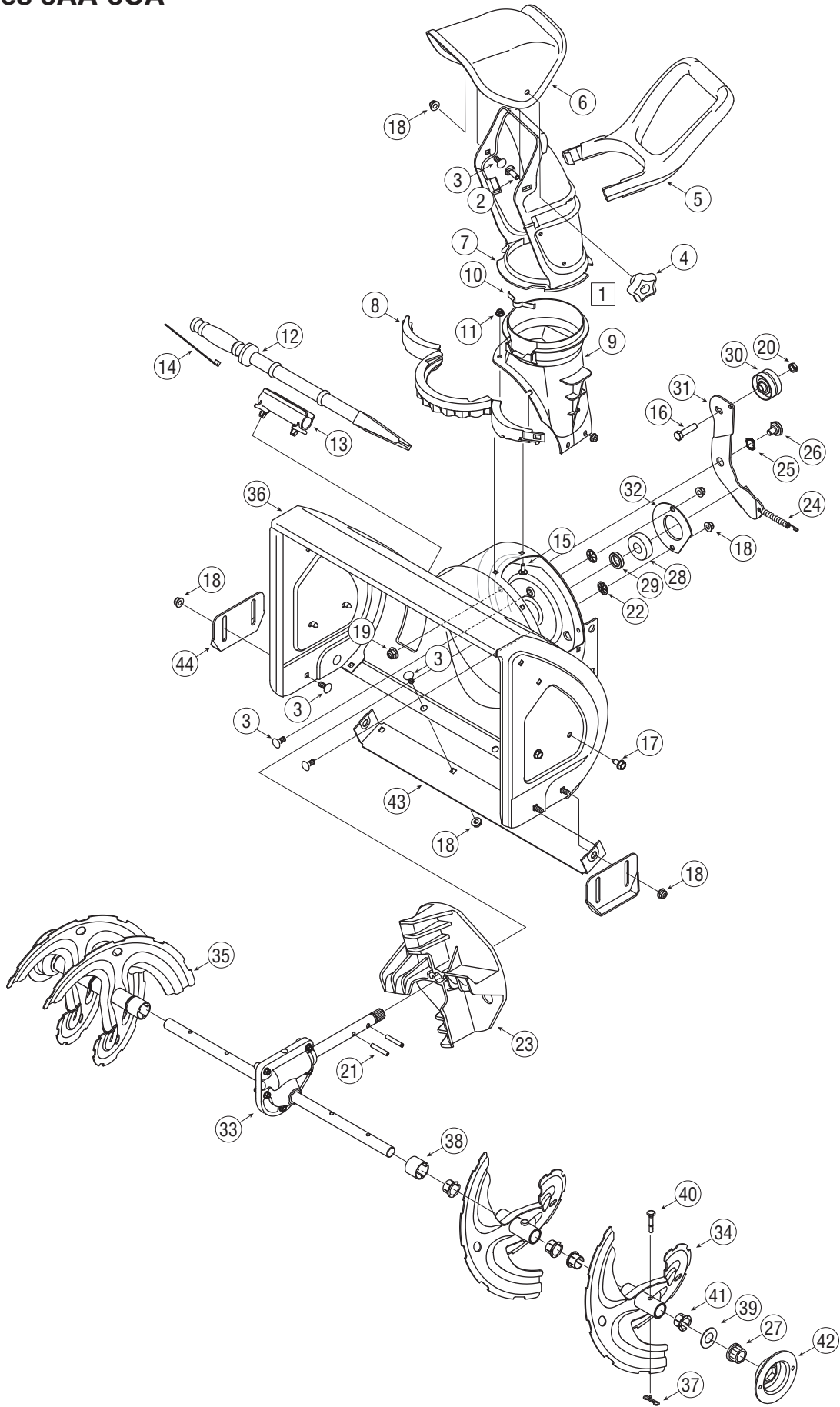


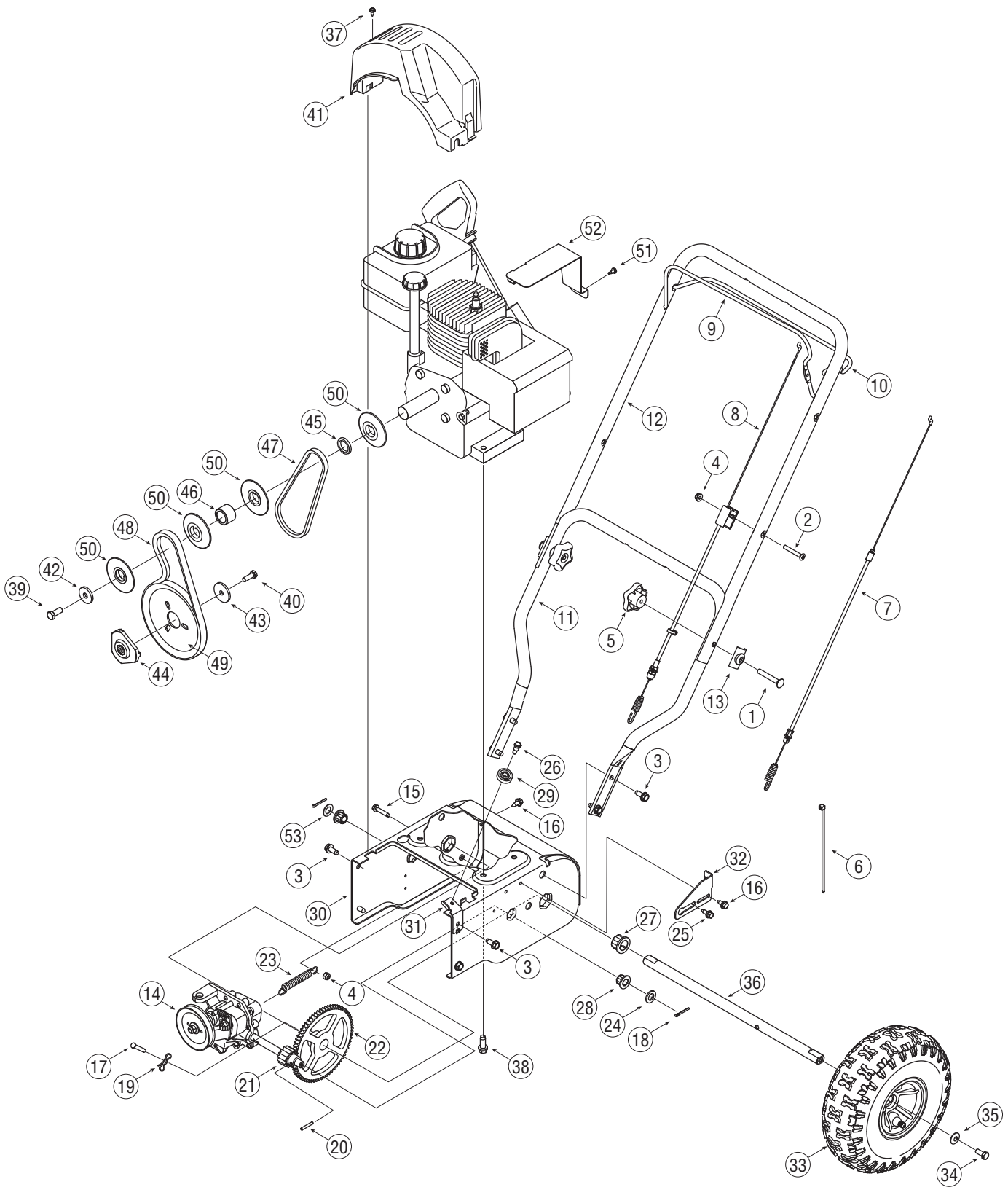
Model Series 3AA-3CA



| Ref. No. | Part No. | Description | Qty. |
|----------|------------|-----------------------------|------|
| 1 | 684-04037 | Chute Assembly | 1 |
| 2 | 710-04071 | Carriage Bolt 5/16-18 x 1 | 1 |
| 3 | 710-0451 | Carriage Bolt 5/16-18 | 11 |
| 4 | 720-04072 | Star Knob 5/16-18 (black) | 1 |
| | 720-04071 | Star Knob 5/16-18 (yellow) | 1 |
| 5 | 731-04388A | Chute Handle | 1 |
| 6 | 731-04426A | Upper Chute | 1 |
| 7 | 731-04127 | Lower Chute | 1 |
| 8 | 731-04353 | Chute Ring | 1 |
| 9 | 731-2636A | Chute Adapter 5" Dia. | 1 |
| 10 | 732-04111 | Chute Adjustment Spring | 1 |
| 11 | 712-04064 | Flange Lock Nut 1/4-20 | 5 |
| 12 | 731-2643 | Clean-out Tool | 1 |
| 13 | 731-2635 | Clean-out Tool Mount | 1 |
| 14 | 725-0157 | Cable Tie | 1 |
| 15 | 710-0134 | Carriage Screw 1/4-20 x .62 | 5 |
| 16 | 710-0520 | Hex Bolt 3/8-16 x 1.50 | 1 |
| 17 | 710-0604A | AB Screw 5/16-18 x .625 | 4 |
| 18 | 712-04063 | Flange Lock Nut 5/16-18 | 11 |
| 19 | 712-04065 | Flange Lock Nut 3/8-16 | 1 |
| 20 | 712-0266 | Hex Lock Nut 3/8-16 | 1 |
| 21 | 715-04020 | Spiral Pin | 2 |
| 22 | 726-04012 | Push On Nut | 2 |

| Ref. No. | Part No. | Description | Qty. |
|----------|------------|--------------------------|------|
| 23 | 731-04218B | Impeller | 1 |
| 24 | 732-0611 | Extension Spring | 1 |
| 25 | 736-0174 | Wave Washer | 1 |
| 26 | 738-0281 | Shoulder Screw 3/8-16 | 1 |
| 27 | 741-0245 | Hex Flange Bearing | 2 |
| 28 | 741-0309 | Ball Bearing | 1 |
| 29 | 750-04191 | Spacer | 1 |
| 30 | 756-04249 | Flat Idler | 1 |
| 31 | 784-0434 | Auger Idler Bracket | 1 |
| 32 | 790-00075 | Bearing Housing | 1 |
| 33 | 618-04292 | Auger Gearbox Assembly | 1 |
| 34 | 684-04113 | Auger Assembly - LH | 2 |
| 35 | 684-04114 | Auger Assembly - RH | 2 |
| 36 | 684-04166 | Auger Housing 22" | 1 |
| 37 | 714-04040 | Bow Tie Cotter Pin 72 | 4 |
| 38 | 731-04870 | Spacer 1.25 x .75 x 1.00 | 2 |
| 39 | 736-0351 | Flat Washer | 2 |
| 40 | 738-04124A | Shear Pin .25 x 1.50 | 4 |
| 41 | 741-0493A | Flange Bushing | 8 |
| 42 | 790-00087A | Hex Bearing Housing | 2 |
| 43 | 790-00117 | Shave Plate | 1 |
| 44 | 784-5580 | Skid Shoe | 2 |

Model Series 3AA-3CA



| Ref. No. | Part No. | Description | Qty. |
|----------|------------|-------------------------------|------|
| 1 | 710-0449 | Carriage Screw 5/16-18 x 2.25 | 2 |
| 2 | 710-0605 | Mach. Screw 1/4-20 x 1.825 | 1 |
| 3 | 710-1260A | Screw 5/16-18 x .75 | 8 |
| 4 | 712-04064 | Flange Lock Nut 1/4-20 | 2 |
| 5 | 720-04072 | Star Knob 5/16-18 | 2 |
| 6 | 725-0157 | Cable Tie | 3 |
| 7 | 746-04256 | Drive Cable | 1 |
| 8 | 746-04236 | Auger Cable | 1 |
| 9 | 747-1161A | Auger Control | 1 |
| 10 | 747-1214 | Drive Control | 1 |
| 11 | 749-04147 | Lower Handle | 1 |
| 12 | 749-1092A | Upper Handle | 1 |
| 13 | 790-00053 | Handle Tab | 2 |
| 14 | 618-04296A | Transmission Assembly | 1 |
| 15 | 710-0809 | TT Screw 1/4-20 x 1.25 | 1 |
| 16 | 710-1652 | Screw 1/4-20 x .625 | 3 |
| 17 | 711-1364 | Clevis Pin | 1 |
| 18 | 714-0115 | Cotter Pin 1/8 x 1.0 | 2 |
| 19 | 714-04040 | Bow Tie Cotter Pin 72 | 1 |
| 20 | 715-0249 | Roll Pin | 1 |
| 21 | 717-04066A | Pinion 14T | 1 |
| 22 | 717-04073A | Gear 70T | 1 |
| 23 | 732-0429A | Extension Spring | 1 |
| 24 | 736-0192 | Flat Washer | 1 |
| 25 | 738-04184A | Shoulder Screw 1/4-20 | 1 |
| 26 | 738-0924A | Shoulder Screw 1/4-28 | 1 |
| 27 | 741-0245 | Hex Flange Bearing | 2 |

| Ref. No. | Part No. | Description | Qty. |
|----------|------------|-------------------------------|------|
| 28 | 741-04108 | Hex Flange Bearing | 2 |
| 29 | 756-0625 | Cable Roller | 1 |
| 30 | 784-0419B | Drive Housing Frame | 1 |
| 31 | 790-00223 | Auger Cable Bracket | 1 |
| 32 | 790-00224 | Auger Cable Adj. Bracket | 1 |
| 33 | 634-0232C | Wheel Assy Snow Hog Gray | 2 |
| 34 | 710-0627 | Lock Bolt 5/16-24 x .75 | 2 |
| 35 | 736-0242 | Bell Washer .34 x .872 x .06 | 2 |
| 36 | 738-1231 | Axle | 1 |
| 37 | 710-0224 | Hex Screw #10-16 x .500 | 1 |
| 38 | 710-0654A | TT Sems Screw 3/8-16 x 1.0 | 4 |
| 39 | 710-0696 | Hex Bolt 3/8-24 x .875 | 1 |
| 40 | 710-1245B | Lock Bolt 5/16-24 x .875 | 1 |
| 41 | 731-04162A | Belt Cover | 1 |
| 42 | 736-0247 | Flat Washer .406 ID x 1.25 OD | 1 |
| 43 | 736-0505 | Flat Washer .34 ID x 1.50 OD | 1 |
| 44 | 748-04067 | Pulley: Adapter .75 Dia. | 1 |
| 45 | 750-1355 | Spacer .876 x 1.25 x .19 | 1 |
| 46 | 750-1356 | Spacer .876 x 1.25 x .86 | 1 |
| 47 | 754-04013 | V-Belt 3/8 x 21.108 Lg. | 1 |
| 48 | 754-04014 | V-Belt 3/8 x 26.680 Lg. | 1 |
| 49 | 756-04024 | Auger Pulley | 1 |
| 50 | 756-0569 | Pulley Half | 4 |
| 51 | 710-0456 | Screw #10-16 x .500 | 1 |
| 52 | 790-00064 | Heat Shield | 1 |
| 53 | 736-0160 | Flat Washer .53 x .93 x .05 | 1 |