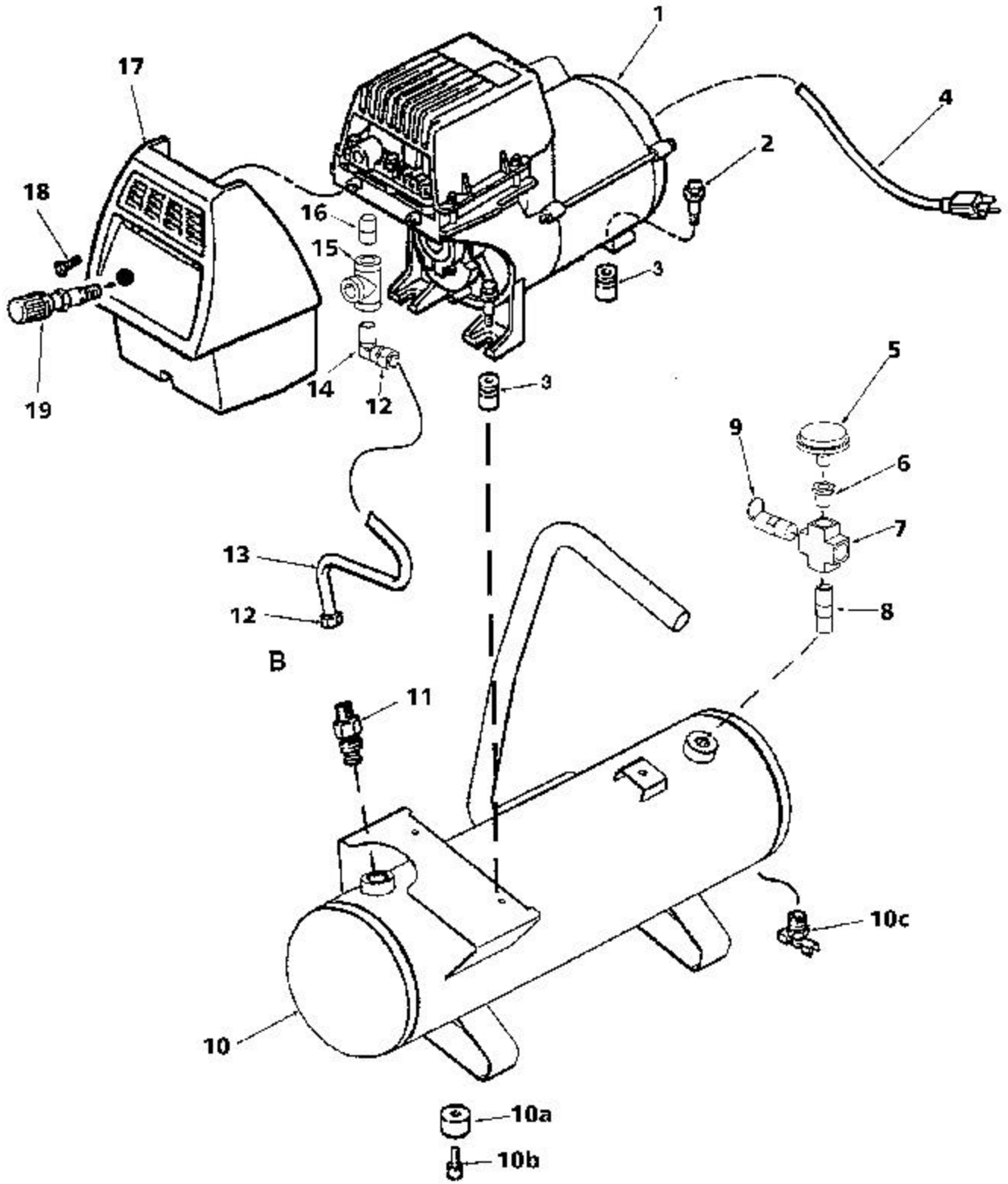


**MODEL
P0250310**

PARTS DRAWING



DATE 5/01/98

ORIGINAL

MODEL P0250310

SERVICE PARTS LIST

<u>Item</u>	<u>Part No</u>	<u>Qty</u>	<u>Description</u>
1	040-0291	1	Pump/motor assy
2	059-0221	3	Bolt, should, 1/4-28
3	093-0019	3	Grommet
4	026-0289	1	Cord, power
5	032-0052	1	Gauge, 200 PSI
6	063-0023	1	Bushing, 1/4 NPT x 1/8 NPT
7	028-0005	1	Cross, 1/4" brass
8	065-0033	1	Nipple, 1/4 NPT x 1.50" lg
9	136-0037	1	Valve, 135 PSI, 1/4 NPT ASME
10	150-0061	1	Tank assy, includes 10a-10c 2.5 gallon
10a	094-0026	4	Isolator, vibration
10b	061-0060	4	Screw
10c	072-0001	1	Petcock
11	031-0066	1	Valve, check 1/2" x 3/8" 1/2 NPT x 3/8" O.D. tube
12	058-0007	2	Nut, 3/8" O.D. tube
13	145-0306	1	Tube transfer Also purchase 058-0007 qty 2
14	064-0001	1	Elbow 90° 1/4" x 3/8" tube
15	069-0004	1	Tee 1/4" iron
16	065-0080	1	Nipple - 1/4" x 1 1/8"
17	142-0108	1	Shroud
18	061-0108	3	Screw, #8-32 x 7/16" lg
19	020-0015	1	Valve, pressure control

DATE 5/01/98

ORIGINAL