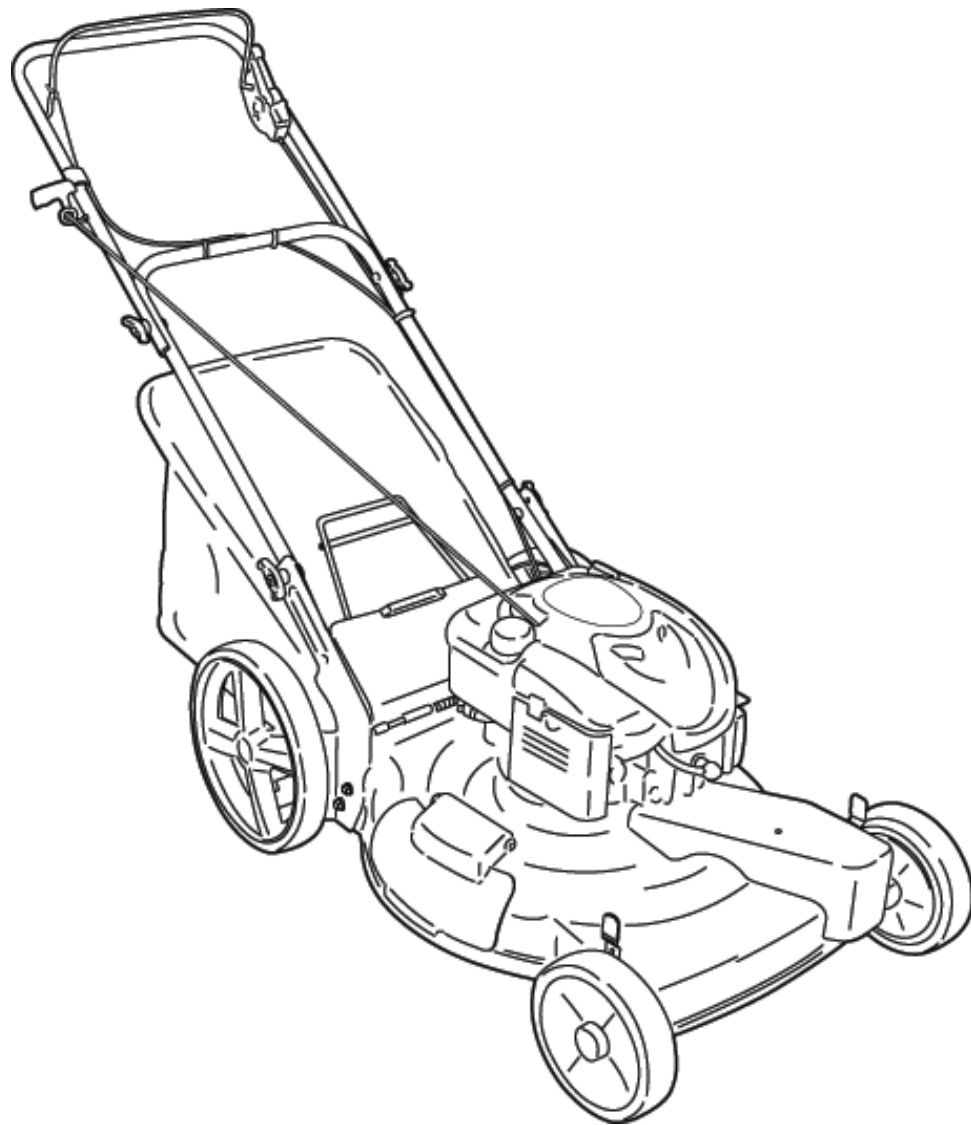


BTP2265WH

Parts Manual



Manual Part No. 7006264

Revision 01

Rev. Date 03/2008

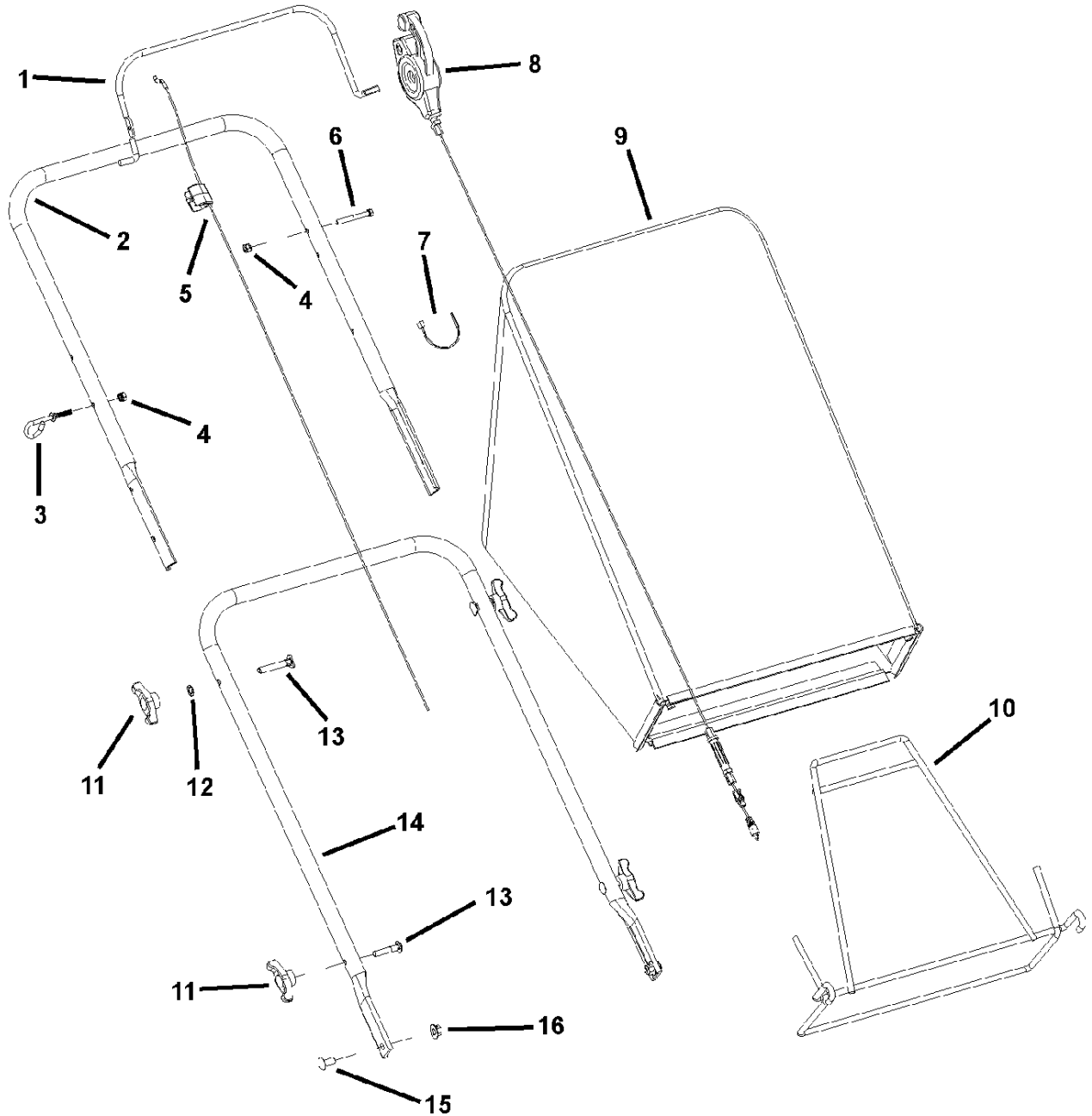
TP 400-4840-01-WM-J

PRODUCT COMPONENTS	PAGES
Handle & Bag Group	4
Engine, Blade & Deck Group	6
Wheels & Covers Group	8
Decal Group	12
Height Adjuster Group	14
Torque Specification Chart	Inside Back Cover

Handle & Bag Group

NOTE: Unless noted otherwise,
use the standard hardware torque
specification chart.

Y:\Images\11\2008\BTP2265HW\BT22habg



The above parts group applies to the following Mfg. Nos.:

7800267 - BTP2265WH 22" 6.5GT High Wheel Self-Propelled Mower

Handle & Bag Group

REF NO	PART NO.	DESCRIPTION
1	7101676AMA	BAIL, OPC PROPELLED
2	7300705AMA	HANDLE, UPPER, PROPELLED
3	071530MA	GUIDE, ROPE (1/4-20 thread)
4	7076978SM	NUT, HEX, 1/4C NYL RNG
5	7101861MA	CABLE, BAIL, HW PROPELLED
6	025x14MA	BOLT, HEX .25-20 X 2.00
7	7024649YP	WIRE TIE, 11 INCH STD BLK NYLON
8	1101670MA	CONTROL, DRIVE, SINGLE SPEED
9	7101893MA	GRASS BAG ASSEMBLY, CLOTH (incl. next 2 items below)
--	1101005MA	BAG, CLOTH, GRASS BAG
--	1101075MA	FRAME, BAG TOP 22
10	1101074MA	WELDMENT, FRAME, GRASS BAG
11	7035744YP	KNOB, 5/16-18 WING (BLACK)
12	7090391SM	LOCKWASHER, 5/16
13	7091189YP	BOLT, 5/16-18 X 2 GR2
14	7300706MA	HANDLE, LOWER
15	7091508SM	BOLT, 5/16-18 X 3/4 GR5 YZ
16	7090951SM	NUT, HEX, 5/16-18 BLACK

Footnotes

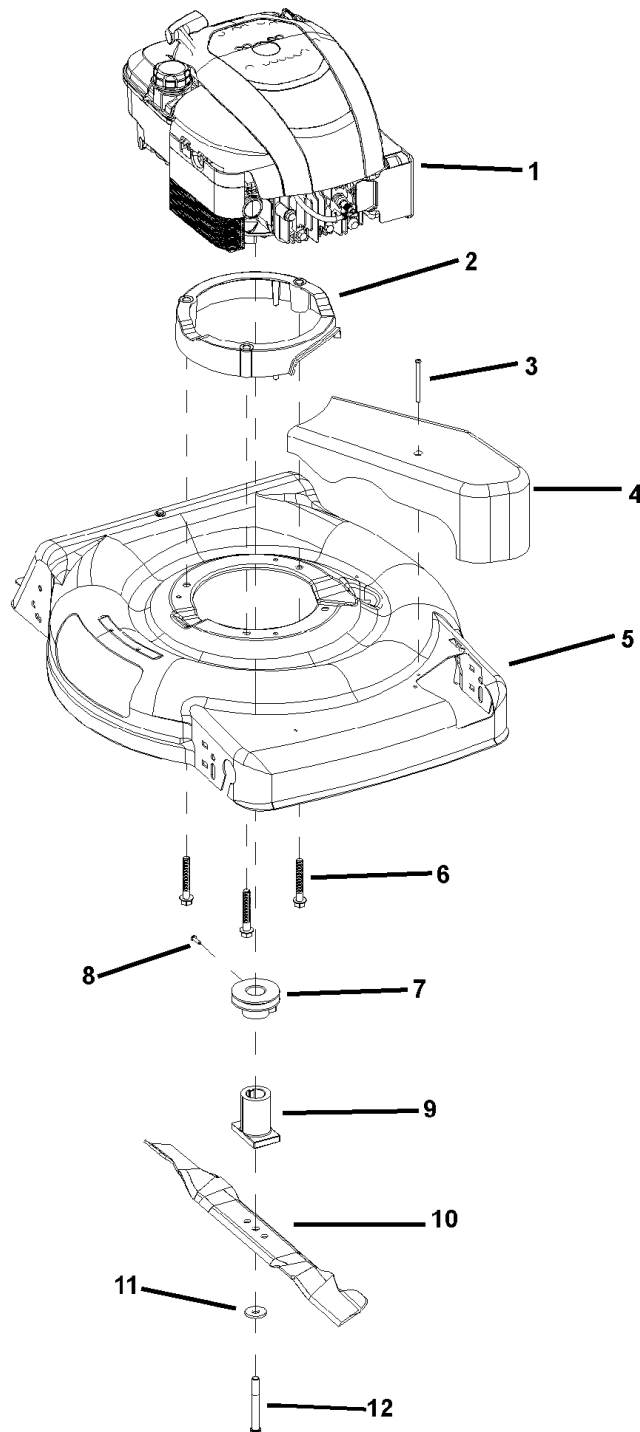
The above parts group applies to the following Mfg. Nos.:

7800267 - BTP2265WH 22" 6.5GT High Wheel Self-Propelled Mower

Engine, Blade & Deck Group

NOTE: Unless noted otherwise,
use the standard hardware torque
specification chart.

Y:\Images\11\2008\BTP2265HW\BT22ebd



The above parts group applies to the following Mfg. Nos.:

7800267 - BTP2265WH 22" 6.5GT High Wheel Self-Propelled Mower

Engine, Blade & Deck Group

REF NO	PART NO.	DESCRIPTION
1	-----	* ENGINE, B&S, 6.5GT Mod. 124T02-0650-B3
2	7101449YP	ENGINE SPACER , 22" WBM, PROPELLED (incl. 3 bushings, p/n 7101448)
3	26x304MA	SCREW, #10-24 X 2-1/2
4	1101596MA	COVER, BELT, PLASTIC
5	7300400ZMA	DECK, 22" WALK, 3 N 1
6	025x11MA	BOLT, 3/8-16 NS X 2.50"
7	7100763MA	PULLEY, ENGINE, 22" DECK, SS
8	26x303MA	SCREW, #8-11 X .63 POLY
9	7100740YP	HUB, BLADE, 22" DECK
10	7100851YP	BLADE, 22", WALK MOWER
11	1101989MA	WASHER, BELLVILLE, .38" ID X 1.183 OD
12	01x144MA	BOLT, HEX HEAD, 3/8-24 NF X 3.25

Footnotes

NOTE: * Purchase engine parts from engine manufacturer dealer.

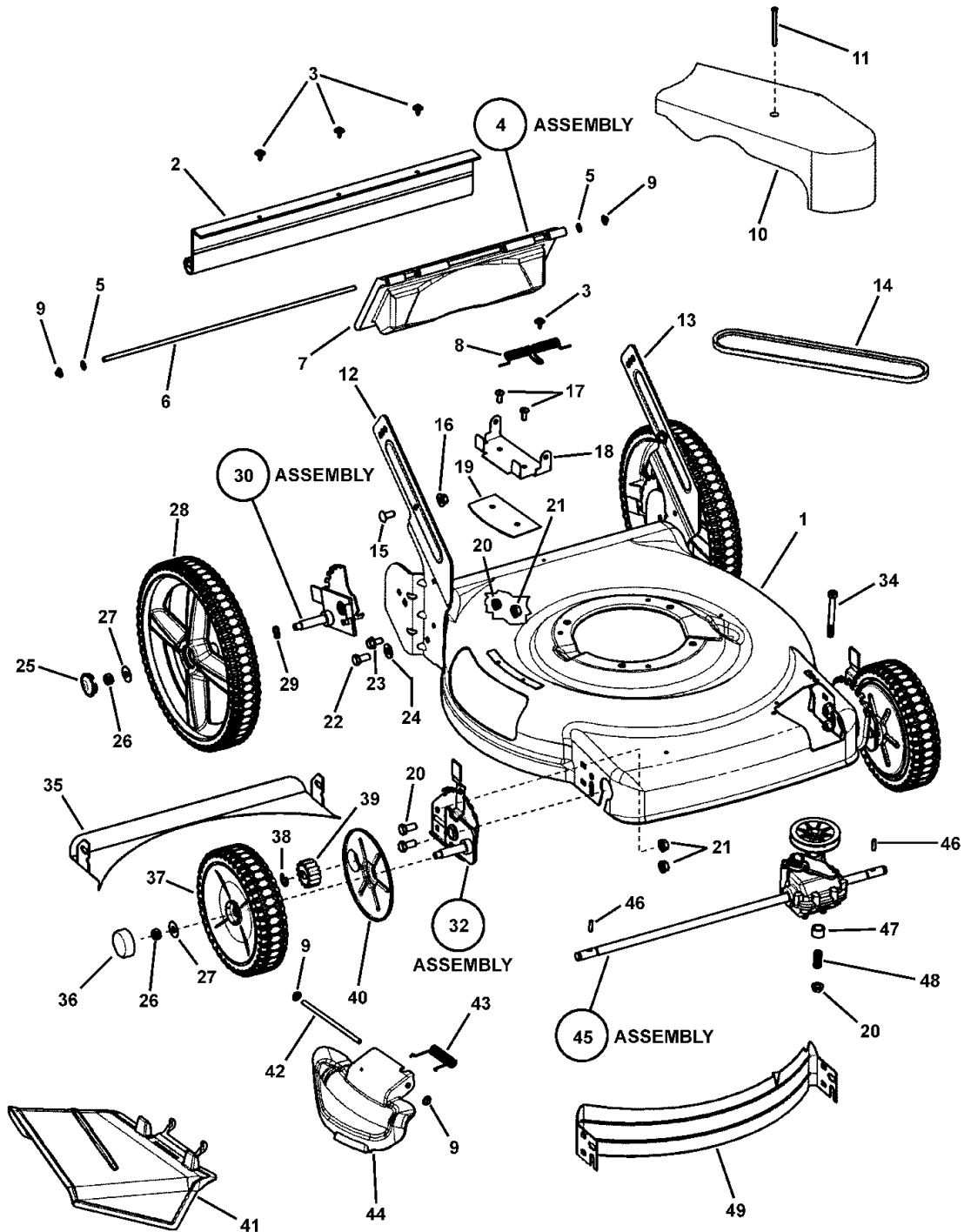
The above parts group applies to the following Mfg. Nos.:

7800267 - BTP2265WH 22" 6.5GT High Wheel Self-Propelled Mowe

Wheels & Covers Group

NOTE: Unless noted otherwise, use the standard hardware torque specification chart.

Y:\Images\11\2008\BTP2265HW\BT22whe



The above parts group applies to the following Mfg. Nos.:
7800267 - BTP2265WH 22" 6.5GT High Wheel Self-Propelled Mower

Wheels & Covers Group

REF NO	PART NO.	DESCRIPTION
1	7300400ZMA	DECK, 22" WALK, 3 N 1
2	1101105MA	GUARD, REAR 22" HW
3	7091286YP	HWST, 10-24 X .50 SEMS
4	1101070MA	REAR DOOR ASSEMBLY, 22" WALK MOWER (incl. items 5 thru 8)
5	028x49MA	NUT, Push
6	215x21MA	ROD, PIVOT, REAR DOOR
7	7100713MA	DOOR, REAR DISCHARGE, 22" WALK MOWER
8	7101461YP	SPRING, TORSION, REAR DOOR, 22" WBM
9	7091020YP	PUSHNUT 1/4
10	1101596MA	COVER, BELT, PLASTIC
11	26x304MA	SCREW, #10-24 X 2-1/2
12	7300582ZMA	BRACKET, LOWER HANDLE, RH, 22" WBM, HW (not shown detached)
13	7300583ZMA	BRACKET, LOWER HANDLE, LH, 22" WBM, HW (not shown detached)
14	7101193MA	BELT, DRIVE 22" WBM, SS 3L Section; 33.75" effective length
15	7091508SM	RHSSNB, 5/16-18 X 3/4 GR5 YZ
16	7090951SM	LHCLN, 5/16-18 BLACK
17	26x217MA	SCREW, 1/4-20 X 11/16
18	7300855ZMA	BRACKET-CHUTE
19	7300856ZMA	PLATE, MULCH 22" RB SCOTT'S
20	015x88MA	NUT, HEX FLANGE LOCK, 5/16-18 NC
21	7900053MA	HFLN, 3/8-16, BRIGHT ZINC
22	7090134MA	HHCS, 3/8-16 X 3/4
23	7090606SM	HFLB, 5/16-18 X 5/8
24	7091528SM	FLW, .375 X .875 X .083 YZ
25	7101931MA	HUBCAP, 12" WHEEL, BLACK
26	7091585SM	HCLN, 3/8-16 YZ
27	17x169MA	WASHER, FLAT, 1" OD X .387 ID
28	7101708MA	WHEEL, 12"X 2" IDLE, W/DB TRD, BRUTE YELLOW
29	7026257MA	WASHER, .531 X .781 3-WAVE
30	--	HEIGHT OF CUT ASSEMBLY, RIGHT REAR, MURRAY, 7 POSITION (parts shown on Height Adjuster Group page)
--	--	HEIGHT OF CUT ASSEMBLY, LEFT REAR, MURRAY, 7 POSITION (parts shown on Height Adjuster Group page)
32	--	HEIGHT OF CUT ASSEMBLY, RIGHT FRONT, 22" WBM, PROPELLED, 7 POSITION (parts shown on Height Adjuster Group page)
--	--	HEIGHT OF CUT ASSEMBLY, LEFT FRONT, 22" WBM, PROPELLED, 7 POSITION (parts shown on Height Adjuster Group page)
34	01x156MA	BOLT, Hex-Head 5/16-18 X 3.00 P&OIL
35	7300854ZMA	BAFFLE, REAR, 22" DECK
36	7101351MA	HUBCAP, ROUND, BLACK
37	7101710MA	WHEEL, 8"X 2" DRIVE, W/DB TRD, BRUTE YELLOW
38	7014341YP	RETAINING RING
39	7101207YP	GEAR, PINION, 22" WBM,FWD
40	7101402YP	SHIELD, DUST, 22" WBM, FWD
41	1101097MA	CHUTE, SIDE, PLASTIC, BLACK
42	215x19ZMA	ROD, PIVOT, CHUTE

Footnotes

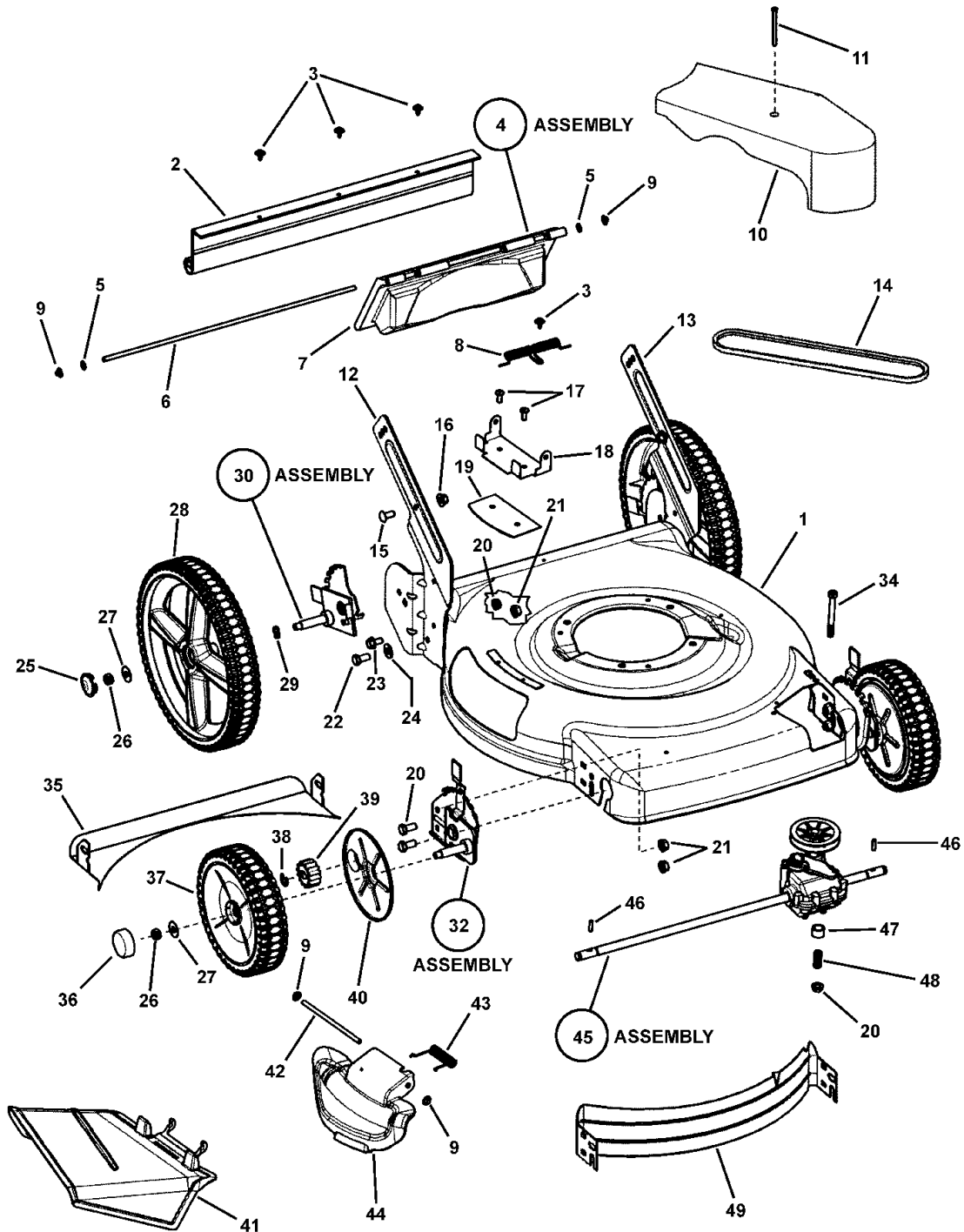
The above parts group applies to the following Mfg. Nos.:

7800267 - BTP2265WH 22" 6.5GT High Wheel Self-Propelled Mowe

Wheels & Covers Group

NOTE: Unless noted otherwise, use the standard hardware torque specification chart.

Y:\Images\11\2008\BTP2265HW\BT22whe



The above parts group applies to the following Mfg. Nos.:
7800267 - BTP2265WH 22" 6.5GT High Wheel Self-Propelled Mower

Wheels & Covers Group

REF NO	PART NO.	DESCRIPTION
44	1101098MA	COVER, MULCH, PLASTIC, BLACK
45	7101206MA	TRANSMISSION, 22" WBM SS, FWD
46	7101270YP	PIN, DRIVE, 22" WBM, FWD
47	043844MA	SPACER, ENGINE
48	164x27MA	SPRING, COMPRESSION
49	7300440ZMA	BAFFLE, FRONT, 22" WBM

Footnotes

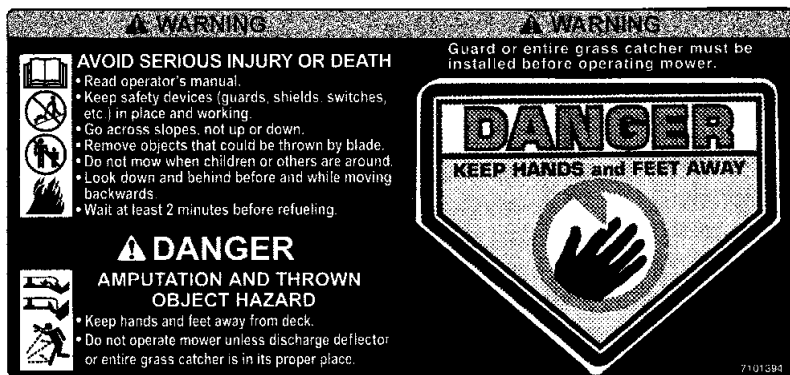
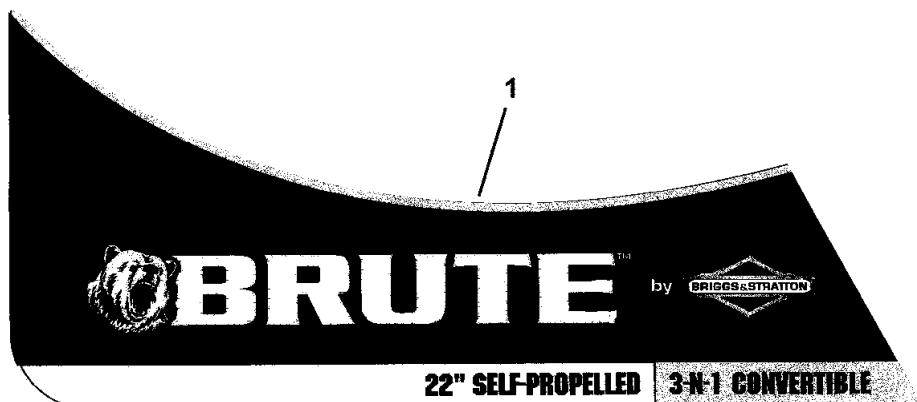
The above parts group applies to the following Mfg. Nos.:

7800267 - BTP2265WH 22" 6.5GT High Wheel Self-Propelled Mower

Decal Group

NOTE: Unless noted otherwise, use the standard hardware torque specification chart.

Y:\Images\11\2008\BTP2265HW\BT22_dcl



The above parts group applies to the following Mfg. Nos.:
7800267 - BTP2265WH 22" 6.5GT High Wheel Self-Propelled Mower

Decal Group

REF NO	PART NO.	DESCRIPTION
1	7101815MA	DECAL, Deck Front 22"
2	7101910MA	DECAL, Engine, TP, Brute 650
3	7013010SM	DECAL, Danger, Cut Finger
4	7029782MA	DECAL, OPC Bail International Symbol
5	7101394YP	DECAL, Warning, Rear Discharge Door

Footnotes

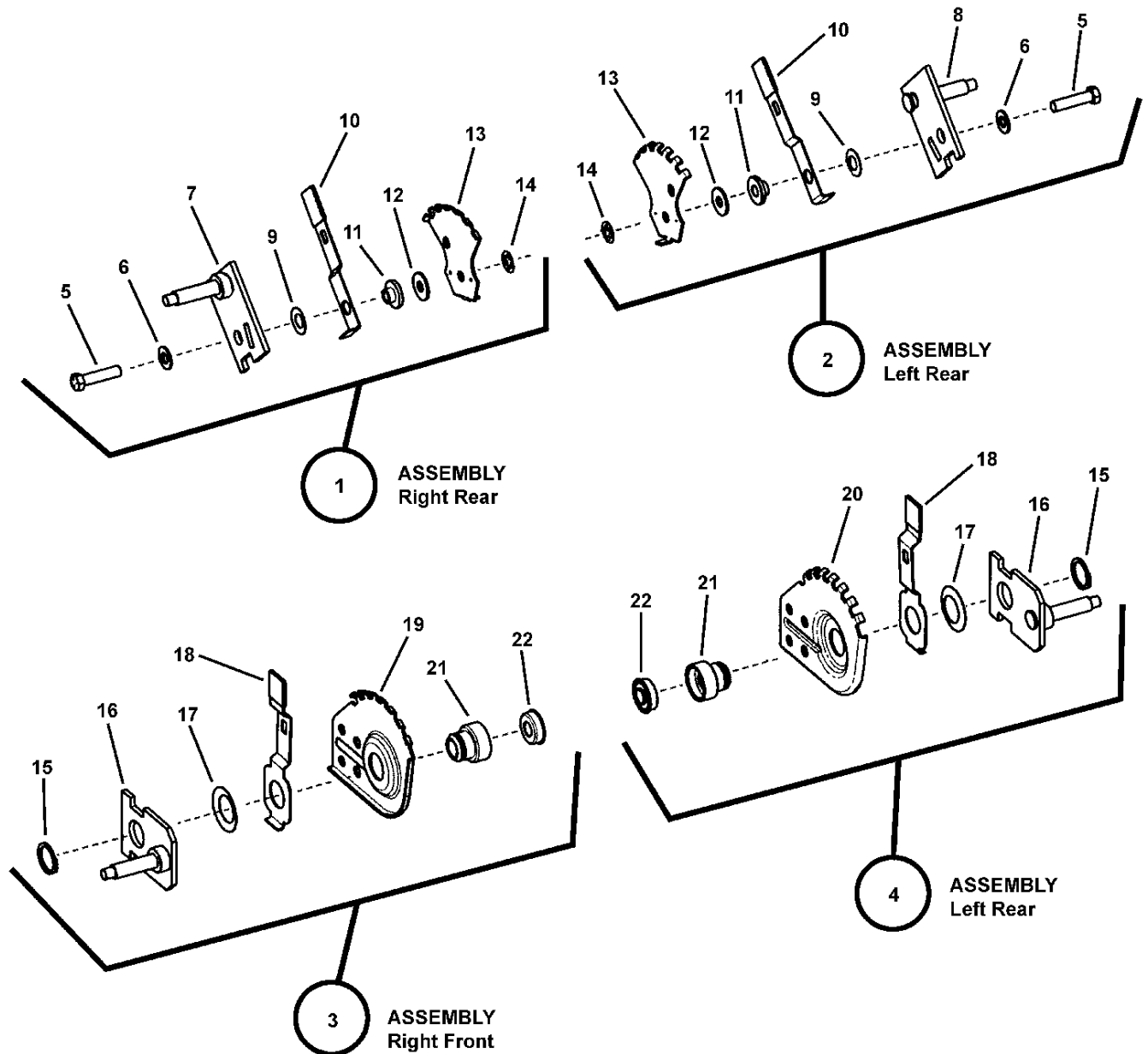
The above parts group applies to the following Mfg. Nos.:

7800267 - BTP2265WH 22" 6.5GT High Wheel Self-Propelled Mower

Height Adjuster Group

NOTE: Unless noted otherwise, use the standard hardware torque specification chart.

Y:\Images\11\2008\BTP2265HW\BT22ha



The above parts group applies to the following Mfg. Nos.:
7800267 - BTP2265WH 22" 6.5GT High Wheel Self-Propelled Mower

Height Adjuster Group

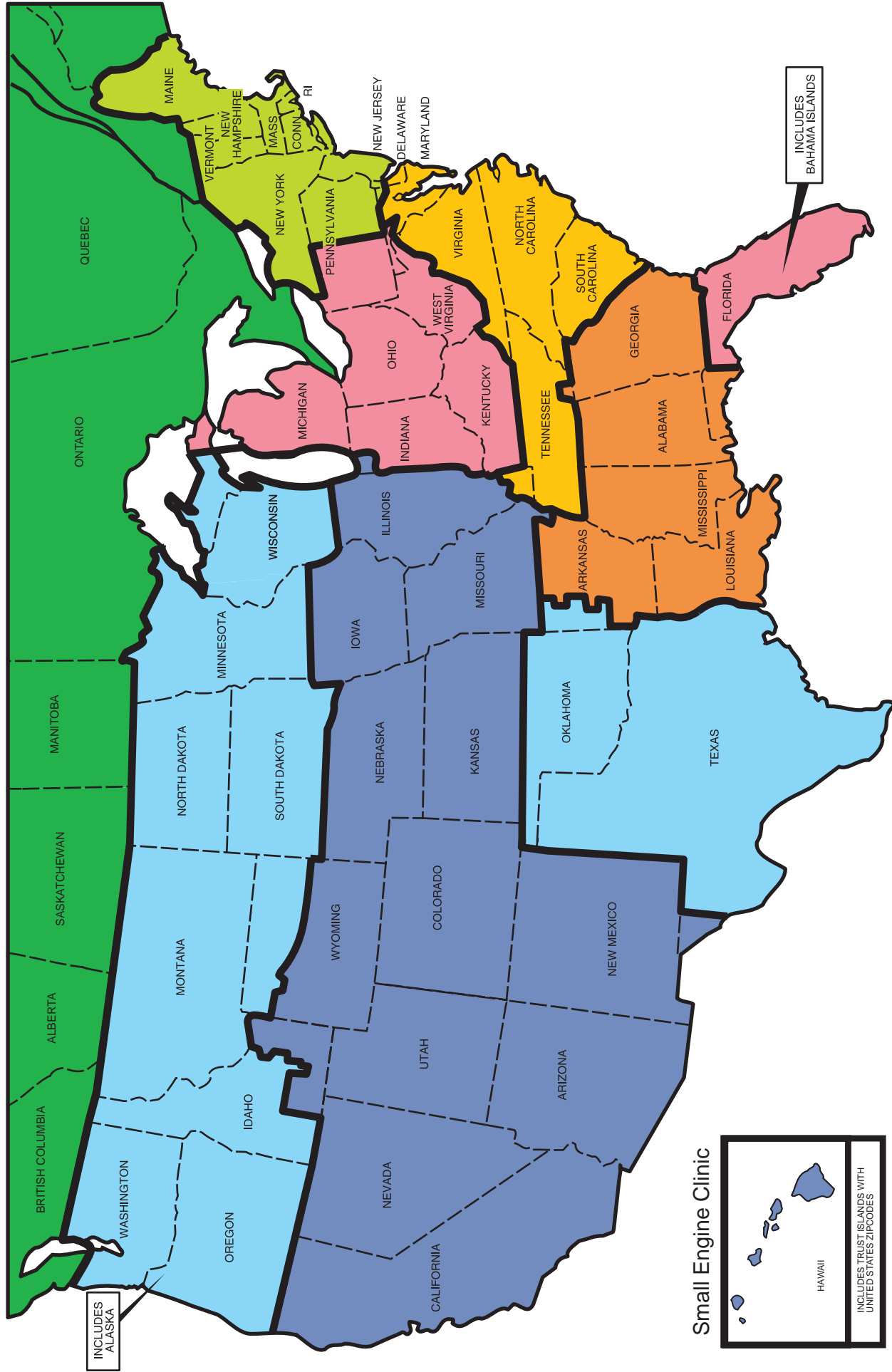
REF NO	PART NO.	DESCRIPTION
1	--	HEIGHT OF CUT ASSEMBLY, Right Rear, 22", 7 Position (order parts separately) Not s as an assembly
2	--	HEIGHT OF CUT ASSEMBLY, Left Rear, 22", 7 Position (order parts separately) Not sc as an assembly
3	--	HEIGHT OF CUT ASSEMBLY, Right Front, 22", WBM, Propelled, 7 Position (order part separately) Not sold as an assembly
4	--	HEIGHT OF CUT ASSEMBLY, Left Front, 22", WBM, Propelled, 7 Position (order parts separately) Not sold as an assembly
5	01x111MA	BOLT, HEX, 3/8-16 UNC X 1.50 BRIGHT ZINC
6	17x124MA	WASHER, PLAIN
7	7500511MA	AXLE PLATE, Right Rear
8	7500510MA	AXLE PLATE, Left Rear
9	0020x3MA	WASHER, CURVED SPRING
10	7101335MA	HEIGHT ADJUST LEVER, 7 POSITION
11	043387MA	HEIGHT ADJUST SPACER
12	710083MA	WASHER, FLAT, 25/64" ID X 1" OD X 14 GA.
13	672765ZMA	PLATE, INDEX, 7 POS
14	7013847YP	RETAINER, 3/8 BOLT
15	011x24MA	RING, RETAINING, .906 ID X .078 THICK
16	7500666MA	FRONT AXLE, 22", Propelled, Bright Zinc
17	17x178MA	WASHER, BELLVILLE, 1 ID X 1.64 OD
18	071466MA	HEIGHT ADJUST LEVER, 22" WBM, Propelled, 7 Position
19	1101078MA	HEIGHT ADJUST ASSEMBLY, Right Front
20	1101079MA	HEIGHT ADJUST ASSEMBLY, Left Front
21	071043MA	RETAINER, BEARING
22	071579MA	BEARING, BALL

Footnotes

The above parts group applies to the following Mfg. Nos.:

7800267 - BTP2265WH 22" 6.5GT High Wheel Self-Propelled Mowe

IDN Network



Small Engine Clinic



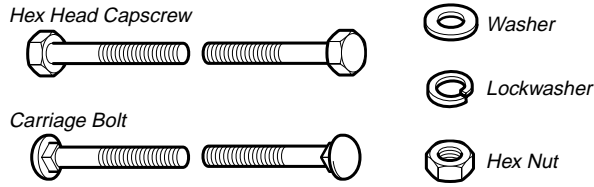
- Magneto Power (800) 733-7388
- MWE (800) 683-8484
- Preferred Power (800) 331-7164
- SEDCO (800) 346-4260
- Atlantic Power (800) 456-5692
- Central Power (800) 444-7774
- Power Source Canada (905) 829-0006

Briggs & Stratton Corporation
INTEGRATED DISTRIBUTOR NETWORK

Midwest Engines	700 Enterprise Rd Aurora, IL 60504	www.mwe.net	(800) 683-8484
Central Power Systems	3700 Paragon Dr Columbus, OH 43228	www.centralpower.com	(800) 444-7774
Atlantic Power	20 Empire Stat Rd Castleton, NY 12033	www.atlanticpowerinc.com	(800) 456-5692
Preferred Power Inc	6509-A Northpark Blvd Charlotte, NC 28216	www.centralpower.com	(800) 331-7164
Central Power Systems	3700 Paragon Dr Columbus, OH 43228	www.centralpower.com	(800) 444-7774
Magneto Power LLC	1000 W. Donges Bay Rd Suite 100 Mequon, WI 53092	www.magnetopower.com	(800) 733-7388
Sedco, Inc	225 Henry D. Robinson Blvd Pendergrass, GA 30567	www.sedcoinc.com	(800) 346-4260
Power Source Canada, LTD	2815 Bristol Circle, Unit 1 Oakville, ON L6H 6X5	www.powersourcecanada.ca	(905) 829-0006

Hardware Identification & Torque Specifications

Common Hardware Types

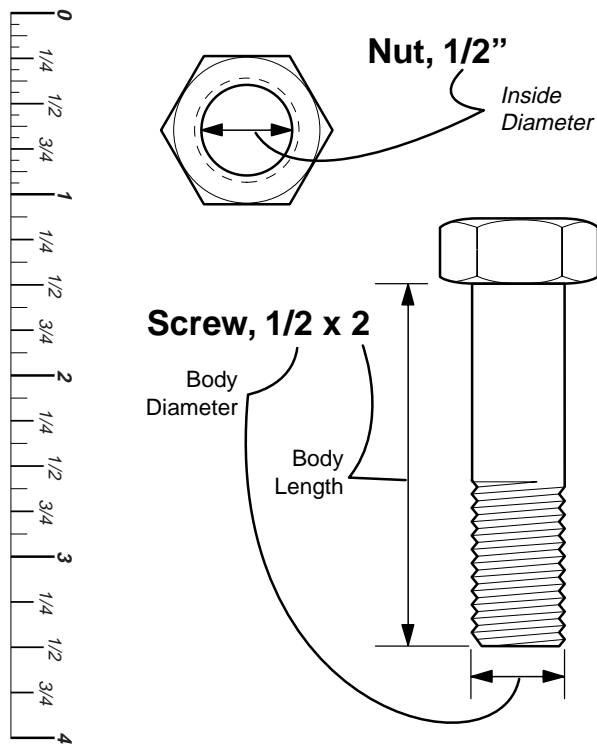


Standard Hardware Sizing

When a washer or nut is identified as $1/2''$, this is the *Nominal size*, meaning the *inside diameter* is $1/2$ inch; if a second number is present it represents the *threads per inch*

When bolt or capscrew is identified as $1/2 - 16 \times 2''$, this means the *Nominal size*, or *body diameter* is $1/2$ inch; the second number represents the *threads per inch* (16 in this example, and the final number is the *body length* of the bolt or screw (in this example 2 inches long).

The guides and ruler furnished below are designed to help you select the appropriate hardware and tools.



Torque Specification Chart

FOR STANDARD MACHINE HARDWARE (Tolerance $\pm 20\%$)

Hardware Grade	No Marks SAE Grade 2		SAE Grade 5		SAE Grade 8	
	in/lbs ft/lbs	Nm.	in/lbs ft/lbs	Nm.	in/lbs ft/lbs	Nm.
8-32	19	2.1	30	3.4	41	4.6
8-36	20	2.3	31	3.5	43	4.9
10-24	27	3.1	43	4.9	60	6.8
10-32	31	3.5	49	5.5	68	7.7
1/4-20	66	7.6	8	10.9	12	16.3
1/4-28	76	8.6	10	13.6	14	19.0
5/16-18	11	15.0	17	23.1	25	34.0
5/16-24	12	16.3	19	25.8	27	34.0
3/8-16	20	27.2	30	40.8	45	61.2
3/8-24	23	31.3	35	47.6	50	68.0
7/16-14	30	40.8	50	68.0	70	95.2
7/16-20	35	47.6	55	74.8	80	108.8
1/2-13	50	68.0	75	102.0	110	149.6
1/2-20	55	74.8	90	122.4	120	163.2
9/16-12	65	88.4	110	149.6	150	204.0
9/16-18	75	102.0	120	163.2	170	231.2
5/8-11	90	122.4	150	204.0	220	299.2
5/8-18	100	136	180	244.8	240	326.4
3/4-10	160	217.6	260	353.6	386	525.0
3/4-16	180	244.8	300	408.0	420	571.2
7/8-9	140	190.4	400	544.0	600	816.0
7/8-14	155	210.8	440	598.4	660	897.6
1-8	220	299.2	580	788.8	900	1,244.0
1-12	240	326.4	640	870.4	1,000	1,360.0

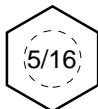
NOTES

- These torque values are to be used for all hardware excluding: locknuts, self-tapping screws, thread forming screws, sheet metal screws and socket head setscrews.
- Recommended seating torque values for locknuts:
 - for prevailing torque locknuts - use 65% of grade 5 torques.
 - for flange whizlock nuts and screws - use 135% of grade 5 torques.
- Unless otherwise noted on assembly drawings, all torque values must meet this specification.

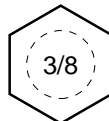
Wrench & Fastener Size Guide



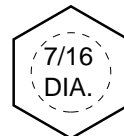
1/4" Bolt or Nut
Wrench—7/16"



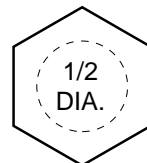
5/16" Bolt or Nut
Wrench—1/2"



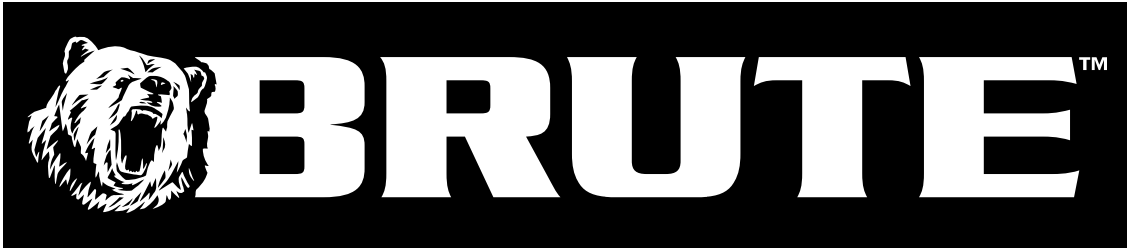
3/8" Bolt or Nut
Wrench—9/16"



7/16" Bolt or Nut
Wrench (Bolt)—5/8"
Wrench (Nut)—11/16"



1/2" Bolt or Nut
Wrench—3/4"



BRUTE™ is a trademark of Briggs Stratton Yard Power Products.

Copyright© 2008 Briggs Stratton Power Products Group. All rights reserved. No part of this page can be reproduced or transmitted in any form by any means without the express written permission of Briggs Stratton Power Products Group.