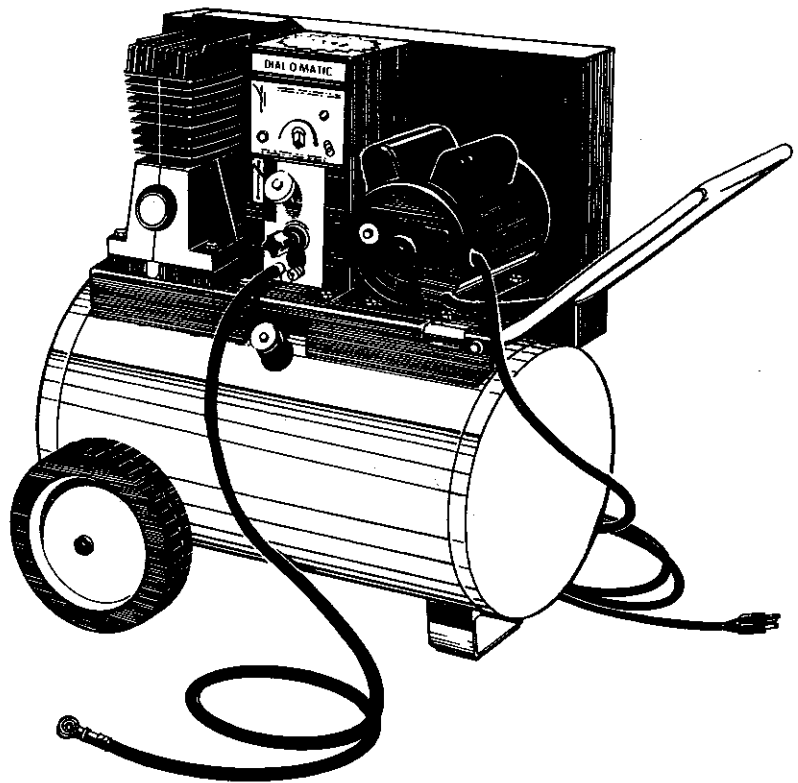


# AIR COMPRESSOR PARTS MANUAL

**PORTABLE**

**TWIN CYLINDER ELECTRIC  
130 PUMP 3 HORSEPOWER**

**109BL300 SERIES**



## **CAUTION:**

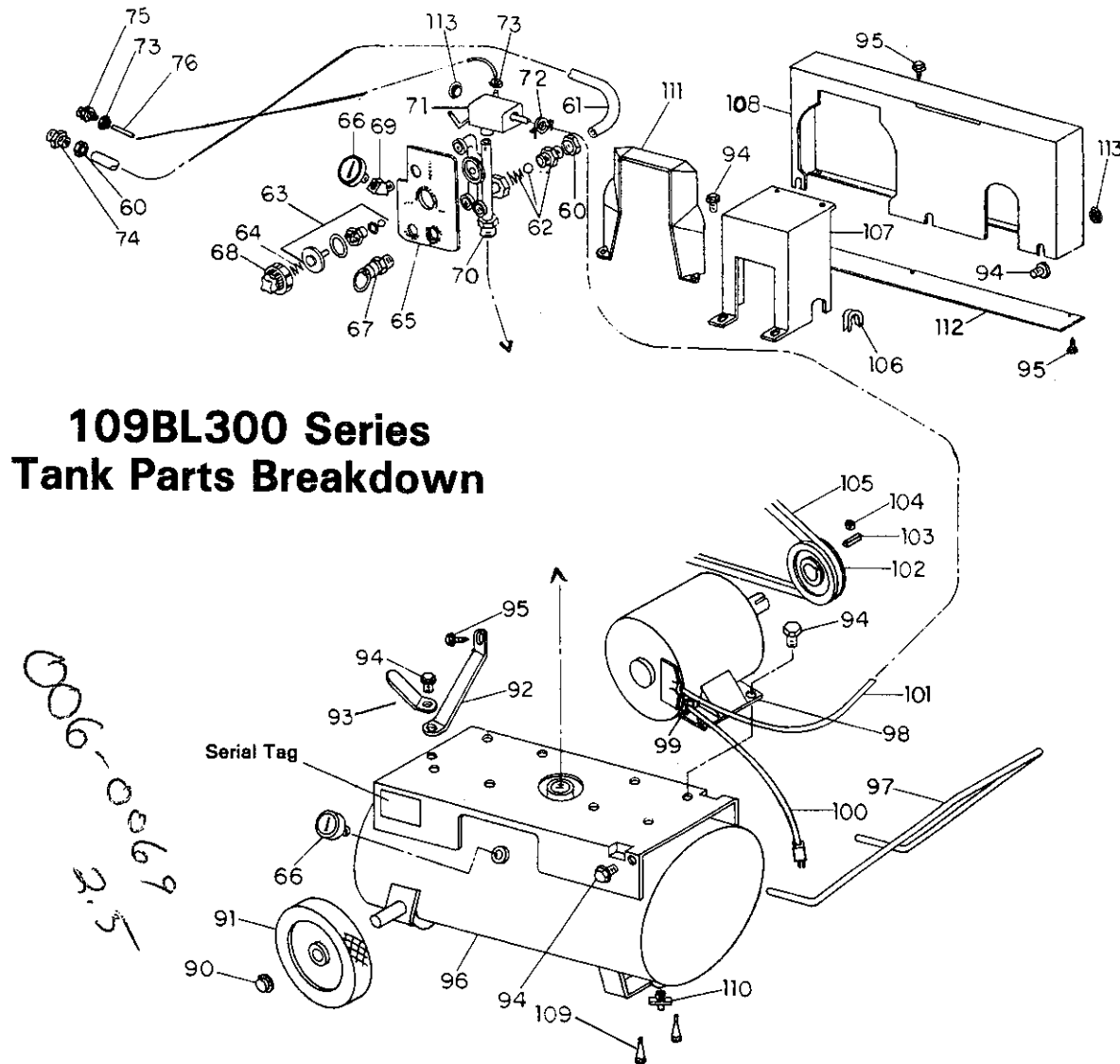
Read the operator's manual carefully before attempting to operate or service this unit! FAILURE TO COMPLY WITH INSTRUCTIONS COULD RESULT IN: VOIDING OF YOUR WARRANTY, PERSONAL INJURY AND/OR PROPERTY DAMAGE! These Air Compressors are precision built from the finest materials and with proper care and maintenance will perform efficiently.

<p>PUMP 130 In-line twin</p>
<p><b>SERIES:</b> 109BL300 Meets or exceeds Underwriters Laboratories Standards</p>

The Manufacturer reserves the right to discontinue or change specifications at any time without incurring any obligations.

DIAL-O-MATIC REPLACEMENT PARTS			
ITEM	PART NO.	DESCRIPTION	QTY.
60	058-0007	3/8" compression nut & sleeve	2
61	145-0004	Transfer tube 3/8" O.D.	1
62	139-0009	Check valve assembly	1
63	105-0004	Manifold repair kit	1
64	055-0005	Regulator spring	1
65	106-0001	Face plate	1
66	032-0001	Gauge, 170 PSI	2
67	136-0036	135 lb. Non-Code pressure relief valve	1
68	137-0001	Knob assembly	1
69	064-0028	1/8" NPT 45° brass street elbow	1
70	041-0003	Manifold	1
71	034-0059	Pressure switch	1
72	071-0002	Strain relief connector	1
73	058-0017	1/4" compression nut & sleeve	2
74	068-0008	Male connector 1/2" NPT x 3/8" O.D. tube	1
75	068-0002	Male connector 1/8" NPT x 1/4" O.D. tube	1
76	145-0008	1/4" O.D. bleeder tube	1

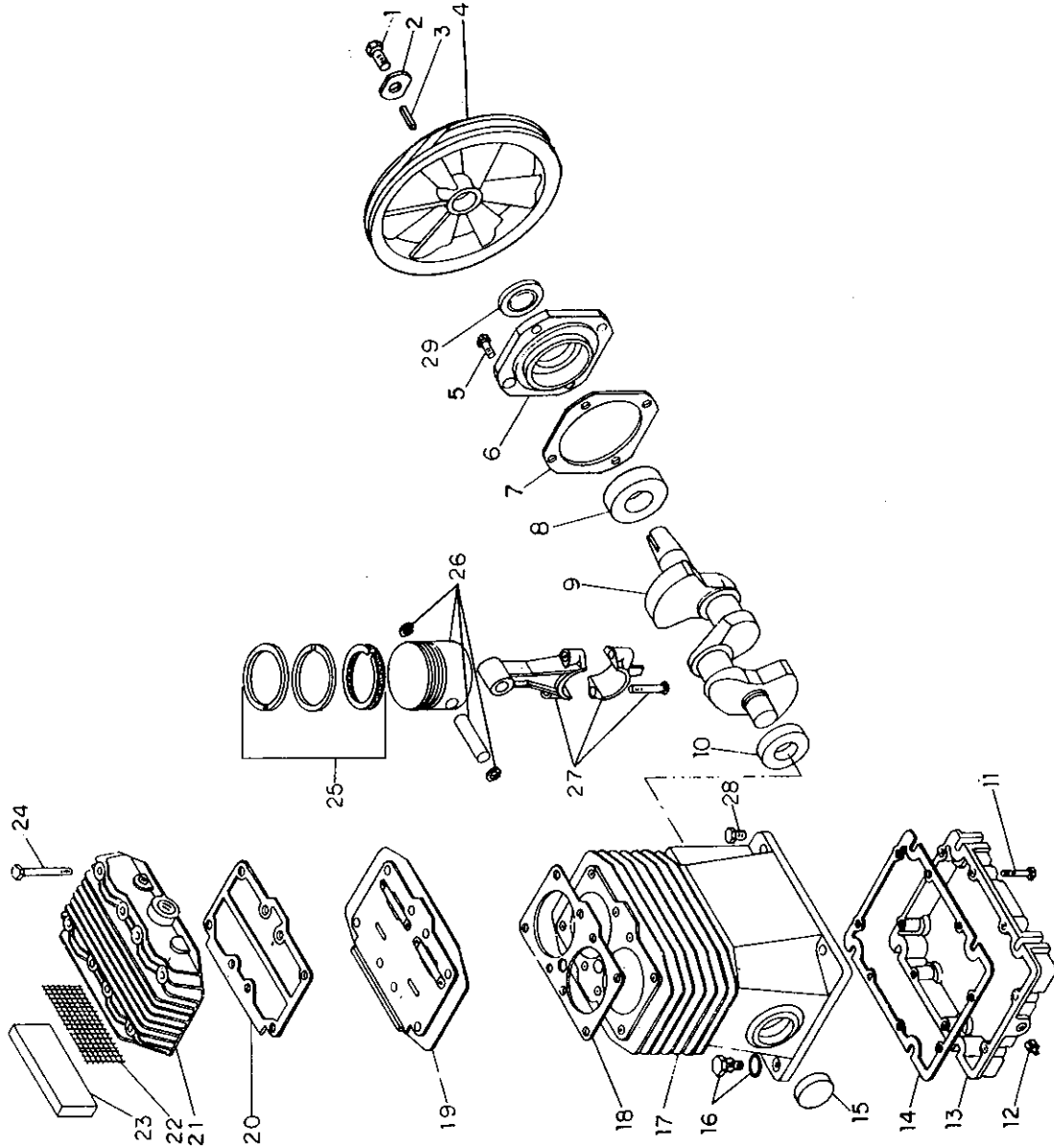
TANK ASSEMBLY REPLACEMENT PARTS			
ITEM	PART NO.	DESCRIPTION	QTY.
90	033-0002	Hub cap 3/8"	2
91	095-0014	Wheel 10" x 1.75"	2
92	114-0129	Belt guard bracket	1
93	114-0005	Hose bracket	1
94	059-0012	Lock bolt 3/16" - 18 x 1/2" long	13
95	061-0005	No. 10 sheet metal screw	10
96	130-0016	22 gallon portable tank assembly with handle and wheels	1
97	112-0002	Handle	1
98	160-0128	3 H.P. motor <i>0265 *</i>	1
99	071-0002	Strain relief connector	1
100	026-0084	Power cord 1/3 x 6 1/2' long 115 volt, 15 amp	1
101	026-0013	Interconnecting cord 1 1/2 x 34"	1
102	006-0080	Pulley 2.70 O.D. A-width	1
103	146-0016	Key 3/16" x 1" long	1
104	061-0002	Set screw 3/16" - 18 x 1/2"	1
105	007-0049	V-belt A-51	1
106	093-0012	Grommet strip	3
107	117-0007	Manifold cover	1
108	142-0049	Belt guard	1
109	094-0014	Vibration isolator	2
110	072-0001	1/4" Petcock (tank drain)	1
111	142-0039	Shroud	1
112	125-0051	Belt guard bottom	1
113	093-0005	Button plug	4



## 109BL300 Series Tank Parts Breakdown

MISCELLANEOUS PARTS	
PART NO.	DESCRIPTION
012-0004	Hose 3/8" x 15'
038-0002	Air chuck
018-0007	Air compressor oil, SAE 30, 1 qt.
018-0008	Air compressor oil, SAE 10, 1 qt.

# 130 Pump Parts Breakdown



COMPRESSOR PUMP REPLACEMENT PARTS			
ITEM	PART NO.	DESCRIPTION	QTY.
1	059-0002	Bolt $\frac{5}{16}$ " NC x 1" long	1
2	060-0053	Flywheel washer	1
3	146-0001	Key $\frac{3}{16}$ " SQ x 1" long	1
4	044-0039	Flywheel 12" O.D. A-width	1
5	059-0143	Bolt $\frac{5}{16}$ " NC x $\frac{7}{8}$ " long	4
6	045-0043	Bearing carrier	1
7	046-0149	Bearing	1
8	051-0043	Open bearing	1
9	053-0041	Crankshaft	1
10	051-0013	Open bearing	1
11	059-0145	Bolt $\frac{1}{4}$ " NC x $1\frac{1}{4}$ " long	1
12	062-0002	Pipe plug $\frac{7}{8}$ " NPT	1
13	077-0065	Crankcase base	1
14	046-0150	Crankcase base gasket	1
15	062-0043	Expansion plug, $1\frac{3}{4}$ " diameter	1
16	056-0019	Dipstick	1
17	049-0035	Crankcase	1
18	046-0152	Cylinder gasket	1
19	043-0143	Valve plate assembly (item #'s 18, 19 & 20)	1
20	046-0151	Head gasket	1
21	042-0068	Head	1
22	118-0023	Filter screen	1
23	019-0052	Inlet filter	1
24	059-0144	Bolt $\frac{5}{16}$ " x $2\frac{1}{2}$ " long	8
25	054-0112	Complete ring set	1
26	048-0065	Piston assembly	1
27	047-0069	Connecting rod	1
28	059-0146	Bolt $\frac{5}{16}$ " NC x $2\frac{1}{2}$ " long	2
29	046-0161	Oil seal	4

ASSEMBLIES - KITS - SETS	
PART NO.	DESCRIPTION
040-0130	Complete pump assembly model 130
165-0083	Complete overhaul kit (includes ring and gasket sets, valve plate assembly and filter element).
046-0159	Complete gasket set