

Air Compressor Parts Manual


200-1944

Rev. D

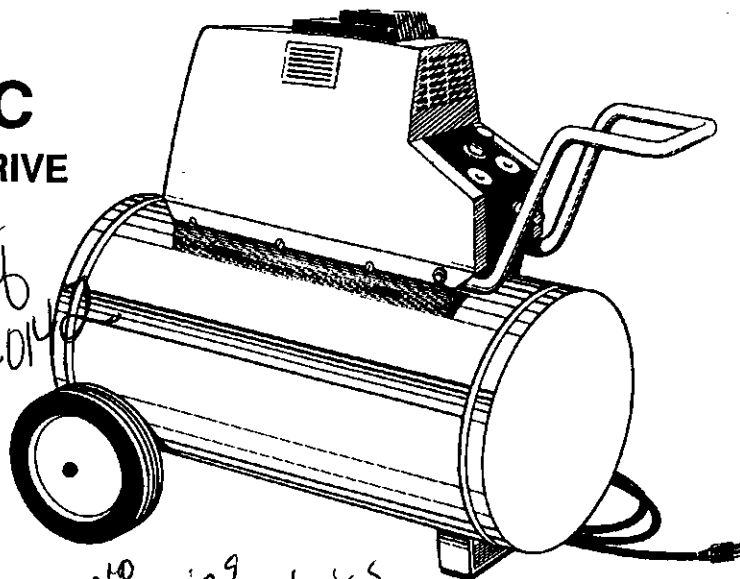
"F" SERIES 2, 3 & 3 1/2 H.P. PORTABLE ELECTRIC OILLESS SINGLE STAGE DIRECT DRIVE

MODELS:

07F350

 04FL200,
06FL300, 07FL350

 04FC200, 07FC350



*166-0040
capacitor
no*

165-014

*No Rewinding
Essencdrics
- must whole unit*

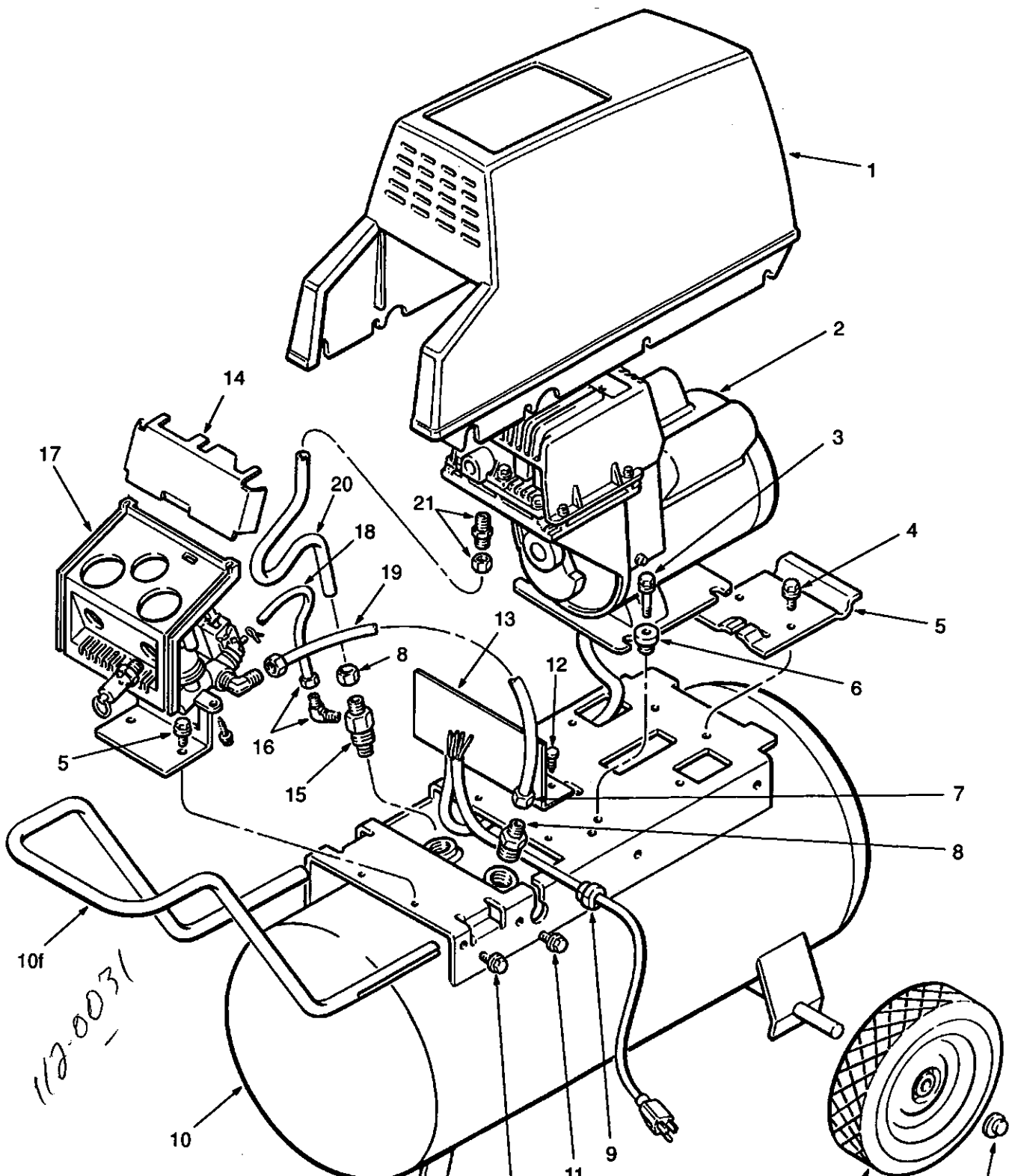
SPECIFICATION CHART

| MODEL NO. | H.P. | AIR RECEIVER TANK CAPACITY GALLONS | VOLTAGE/ AMPS/ PHASE | SCFM Displ @ 40 PSI | SCFM Displ @ 90 PSI | APPROX. KICK-IN PRESSURE | APPROX. KICK-OUT PRESSURE |
|----------------|-------|--|----------------------------|---------------------------|---------------------------|--------------------------------|---------------------------------|
| 07F350-13 | 3 1/2 | 13 | 115 / 15 / 1 | 8.6 | 6.7 | 90 | 120 |
| 07F350-20 | | 20 | | | | | |
| 04FL200-13 | 2 | 13 | 115 / 15 / 1 | 6.7 | 5.3 | 90 | 120 |
| 04FL200-20 (A) | | 20 (A.S.M.E.) | | | | | |
| 06FL300-20 | 3 | 20 | 115 / 15 / 1 | 8.2 | 6.2 | 90 | 120 |
| 07FL350-13A | 3 1/2 | 13 A.S.M.E. | | | | | |
| 07FL350-20 (A) | | 20 (A.S.M.E.) | | | | | |
| 07FL350-30A | | 30 A.S.M.E. | | 8.6 | 6.7 | | |
| 04FC200-10 | 2 | 10 | 115 / 15 / 1 | 6.7 | 5.3 | 90 | 120 |
| 04FC200-20A | | 20 A.S.M.E. | | | | | |
| 07FC350-20A | 3 1/2 | 20 A.S.M.E. | | 8.6 | 6.7 | | |

In the event you should have a question, or a concern, with the air compressor, **DO NOT** return it to the store where you purchased it. Most problems and concerns can be taken care of on the telephone!

Simply call (800) 544-5145 (Toll Free) and discuss the concern with our trained Customer Service Department. Should you not be able to reach us at the above number, please check the Service Center Listing included with your instruction manual and call the Service Center nearest you for assistance.

CAUTION: Read the operator's manual carefully before attempting to operate or service this unit! FAILURE TO COMPLY WITH INSTRUCTIONS COULD RESULT IN: VOIDING OF YOUR WARRANTY, PERSONAL INJURY AND / OR PROPERTY DAMAGE! This Air Compressor is precision built from the finest materials and with proper care and maintenance will perform efficiently.



PARTS DRAWING & LIST

| ITEM | PART NO | DESCRIPTION | QTY |
|------|----------|---|-----|
| 1 | 142-0072 | SHROUD | 1 |
| 2 | 040-0172 | 2 HP PUMP/MOTOR ASSY see page 7 for parts | |
| | or | | |
| | NA | 3 HP PUMP/MOTOR ASSY for service, replace with 3 1/2 HP | |
| | or | | |
| | 040-0174 | 3 1/2 HP PUMP/MOTOR ASSY see page 7 for parts | |
| 3 | 059-0221 | SCREW, shoulder, 1/4"-28 x 3/4" | 2 |
| 4 | 059-0216 | SCREW, 1/4"-20 x 1/2" lg w/serrated washer | 4 |
| 5 | 112-0048 | HANDLE, platform | 1 |
| 6 | 093-0018 | GROMMET | 4 |
| 7 | 058-0007 | NUT, compression | 2 |
| 8 | 068-0008 | CHECK VALVE 1/2" NPT x 3/8" O.D. tube | 1 |
| 9 | 071-0008 | BUSHING, strain relief "F" or "FL" series | |
| | or | | |
| | 071-0009 | BUSHING, strain relief "FC" series | 1 |
| 10 | 127-0034 | TANK ASSY, 10 gallon includes items 10a-10f | |
| | or | | |
| | 128-0024 | TANK ASSY, 13 gallon includes items 10a-10f | |
| | or | | |
| | 128-0026 | TANK ASSY, 13 gallon A.S.M.E. includes items 10a-10f | |
| | or | | |
| | 130-0028 | TANK ASSY, 20 gallon includes items 10a-10f | |
| | or | | |
| | 130-0029 | TANK ASSY, 20 gallon A.S.M.E. includes items 10a-10f | 1 |
| | or | | |
| | 131-0017 | TANK ASSY, 30 gallon A.S.M.E. includes items 10a-10f | 1 |
| 10a | 033-0001 | .HUB CAP, 10 & 13 gallon tanks | |
| | or | | |
| | 033-0002 | .HUB CAP, 20 & 30 gallon tanks | 2 |
| 10b | 095-0010 | .WHEEL, 8" for 10 & 13 gal. tanks | |
| | or | | |
| | 095-0014 | .WHEEL, 10" for 20 & 30 gal. tanks | 2 |
| 10c | 059-0216 | .BOLT, 1/4"-20 x 1/2" lg w/serrated washer | 2 |
| 10d | 072-0001 | .PETCOCK, 1/4" NPT | 1 |
| 10e | 094-0015 | .PAD, vibration | 1 |
| 10f | 112-0049 | .HANDLE | 1 |
| 11 | 059-0215 | SCREW, 1/4"-20 x 1/2" lg | 6 |
| 12 | 093-0015 | FASTENER, ratchet for 3 & 3 1/2 HP only | 2 |
| 13 | 056-0036 | BAFFLE, platform for 3 & 3 1/2 HP only | 1 |
| 14 | 056-0033 | BAFFLE | 1 |
| 15 | 031-0037 | VALVE, check 1/2" NPT x 3/8" O.D. tube | 1 |
| 16 | 064-0003 | ELBOW, 90° brass | 1 |
| 17 | NA | MANIFOLD/SWITCH ASSY "F" or "FL" series, see pg. 4 for parts | |
| | or | | |
| | NA | MANIFOLD/SWITCH ASSY "FC" series, see page 5 for parts | 1 |

"F" Series OILLESS

MODEL 07F350-13 includes items 1-21
3 1/2 HP with 13 gal portable non-code tank

MODEL 07F350-20 includes items 1-23
3 1/2 HP with 20 gal portable non-code tank

"FL" Series OILLESS



MODEL 04FL200-13 includes items 1-11, 14-21
2 HP with 13 gal portable non-code tank

MODEL 04FL200-20 includes items 1-11, 14-23
2 HP with 20 gal portable non-code tank

MODEL 04FL200-20A includes items 1-11, 14-23
2 HP with 20 gal portable A.S.M.E. tank

MODEL 06FL300-20 includes items 1-23
3 HP with 20 gal portable non-code tank

MODEL 07FL350-13A includes items 1-21
3 1/2 HP with 13 gal portable A.S.M.E. tank

MODEL 07FL350-20 includes items 1-23
3 1/2 HP with 20 gal portable non-code tank

MODEL 07FL350-20A includes items 1-23
3 1/2 HP with 20 gal portable A.S.M.E. tank

MODEL 07FL350-30A includes items 1-23
3 1/2 HP with 30 gal portable A.S.M.E. tank

"FC" Series OILLESS



MODEL 04FC200-10 includes items 1-11, 14-23
2 HP with 10 gal portable non-code tank

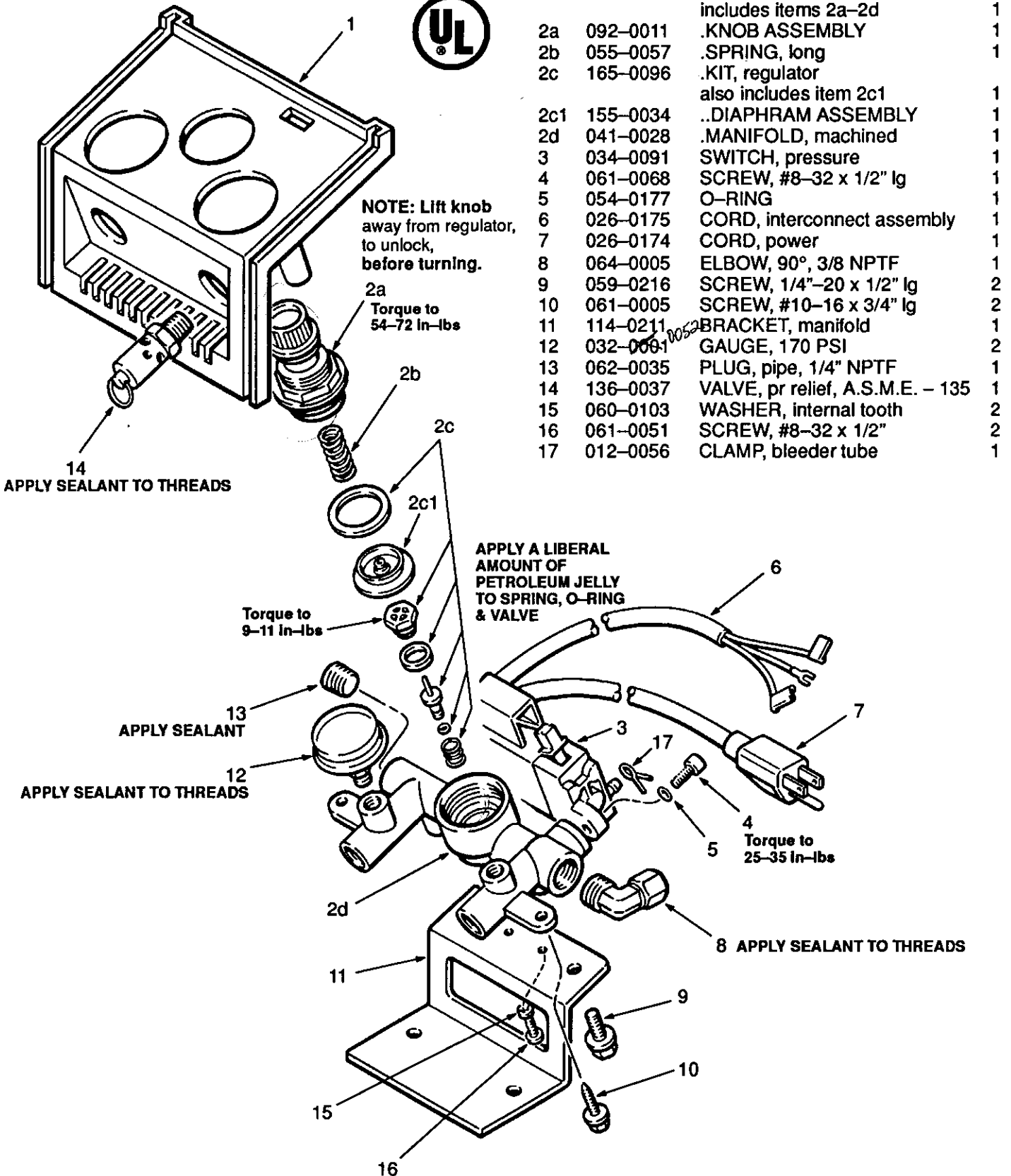
MODEL 04FC200-20A includes items 1-11, 14-23
2 HP with 20 gal portable A.S.M.E. tank

MODEL 07FL350-20A includes items 1-23
3 1/2 HP with 20 gal portable A.S.M.E. tank

| ITEM | PART NO | DESCRIPTION | QTY |
|------|----------|---|-----|
| 18 | 145-0188 | TUBE, bleed (teflon) "FL" series | |
| | or | | |
| | 145-0180 | TUBE, bleed (teflon) "FC" series | 1 |
| 19 | 145-0172 | TUBE, manifold (nylon) | 1 |
| 20 | 145-0179 | TUBE, transfer | 1 |
| 21 | 068-0017 | CONNECTOR, male | 1 |
| 22 | 012-0005 | HOSE, air, 1/4" NPT (m) x 15 ft black <i>not shown</i> | |
| 23 | 038-0002 | AIR CHUCK, 1/4" NPT (f) <i>not shown</i> | |

PARTS DRAWING and LIST

"F" or "FL" MANIFOLD/SWITCH ASSEMBLY includes items 1-17



| ITEM | PART NO | DESCRIPTION | QTY |
|------|----------|---|-----|
| 1 | 077-0123 | COVER, manifold | 1 |
| 2 | NA | REGULATOR/MANIFOLD ASSY includes items 2a-2d | 1 |
| 2a | 092-0011 | .KNOB ASSEMBLY | 1 |
| 2b | 055-0057 | .SPRING, long | 1 |
| 2c | 165-0096 | .KIT, regulator also includes item 2c1 | 1 |
| 2c1 | 155-0034 | ..DIAPHRAM ASSEMBLY | 1 |
| 2d | 041-0028 | .MANIFOLD, machined | 1 |
| 3 | 034-0091 | SWITCH, pressure | 1 |
| 4 | 061-0068 | SCREW, #8-32 x 1/2" lg | 1 |
| 5 | 054-0177 | O-RING | 1 |
| 6 | 026-0175 | CORD, interconnect assembly | 1 |
| 7 | 026-0174 | CORD, power | 1 |
| 8 | 064-0005 | ELBOW, 90°, 3/8 NPTF | 1 |
| 9 | 059-0216 | SCREW, 1/4"-20 x 1/2" lg | 2 |
| 10 | 061-0005 | SCREW, #10-16 x 3/4" lg | 2 |
| 11 | 114-0211 | BRACKET, manifold | 1 |
| 12 | 032-0061 | GAUGE, 170 PSI | 2 |
| 13 | 062-0035 | PLUG, pipe, 1/4" NPTF | 1 |
| 14 | 136-0037 | VALVE, pr relief, A.S.M.E. - 135 | 1 |
| 15 | 060-0103 | WASHER, internal tooth | 2 |
| 16 | 061-0051 | SCREW, #8-32 x 1/2" | 2 |
| 17 | 012-0056 | CLAMP, bleeder tube | 1 |

APPLY A LIBERAL AMOUNT OF PETROLEUM JELLY TO SPRING, O-RING & VALVE

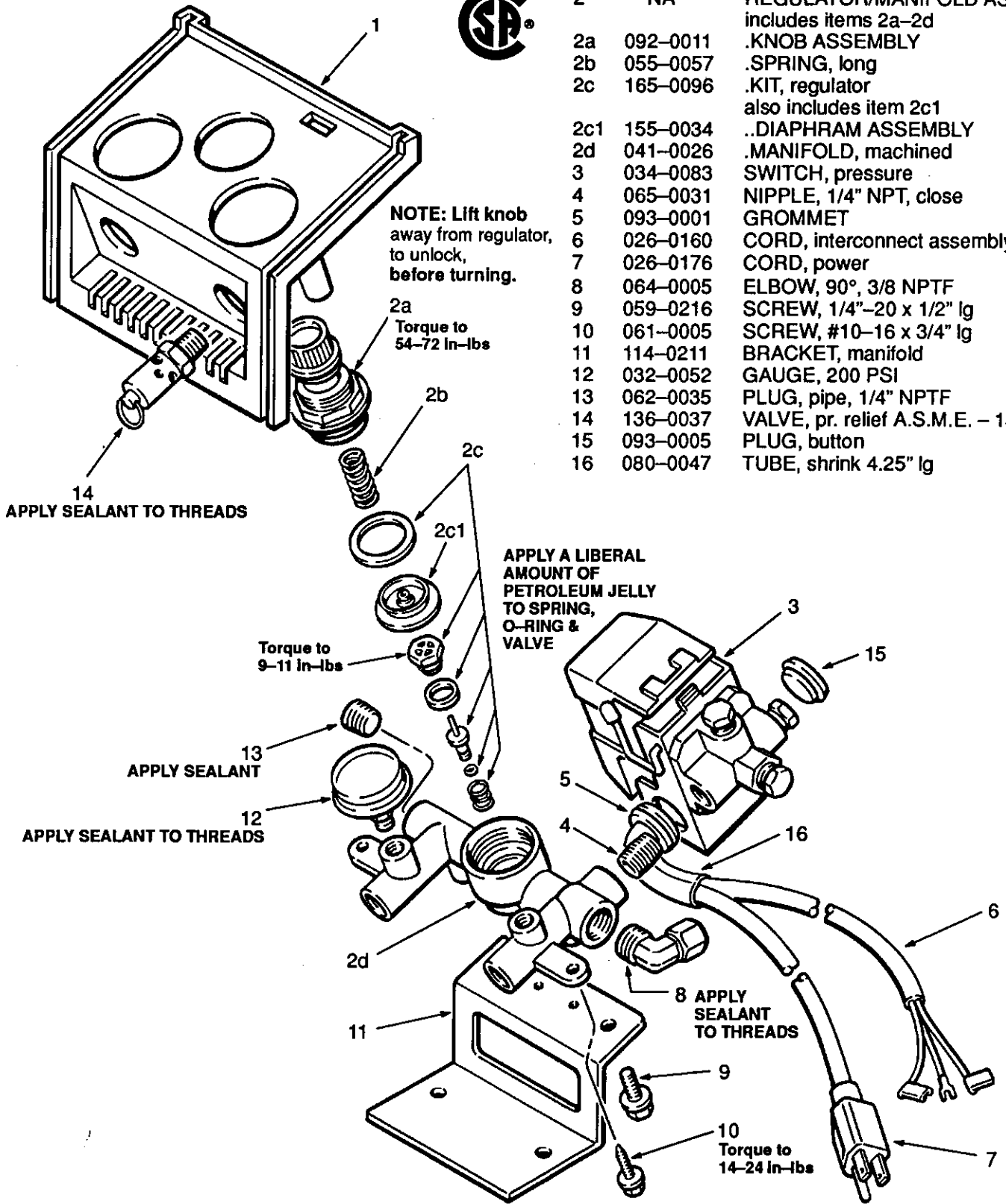
SERVICE KITS AVAILABLE

| PART NO | DESCRIPTION |
|----------|---|
| 141-0156 | OVERHAUL KIT includes items 2, 3, 5, 10, 12 & 14 |

PARTS DRAWING and LIST

"FC" MANIFOLD/SWITCH ASSEMBLY includes items 1-16

| ITEM | PART NO | DESCRIPTION | QTY |
|------|----------|---|-----|
| 1 | 077-0113 | COVER, manifold | 1 |
| 2 | NA | REGULATOR/MANIFOLD ASSY includes items 2a-2d | 1 |
| 2a | 092-0011 | .KNOB ASSEMBLY | 1 |
| 2b | 055-0057 | .SPRING, long | 1 |
| 2c | 165-0096 | .KIT, regulator also includes item 2c1 | 1 |
| 2c1 | 155-0034 | ..DIAPHRAM ASSEMBLY | 1 |
| 2d | 041-0026 | .MANIFOLD, machined | 1 |
| 3 | 034-0083 | SWITCH, pressure | 1 |
| 4 | 065-0031 | NIPPLE, 1/4" NPT, close | 1 |
| 5 | 093-0001 | GROMMET | 1 |
| 6 | 026-0160 | CORD, interconnect assembly | 1 |
| 7 | 026-0176 | CORD, power | 1 |
| 8 | 064-0005 | ELBOW, 90°, 3/8 NPTF | 1 |
| 9 | 059-0216 | SCREW, 1/4"-20 x 1/2" lg | 2 |
| 10 | 061-0005 | SCREW, #10-16 x 3/4" lg | 2 |
| 11 | 114-0211 | BRACKET, manifold | 1 |
| 12 | 032-0052 | GAUGE, 200 PSI | 2 |
| 13 | 062-0035 | PLUG, pipe, 1/4" NPTF | 1 |
| 14 | 136-0037 | VALVE, pr. relief A.S.M.E. - 135 | 1 |
| 15 | 093-0005 | PLUG, button | 1 |
| 16 | 080-0047 | TUBE, shrink 4.25" lg | 1 |



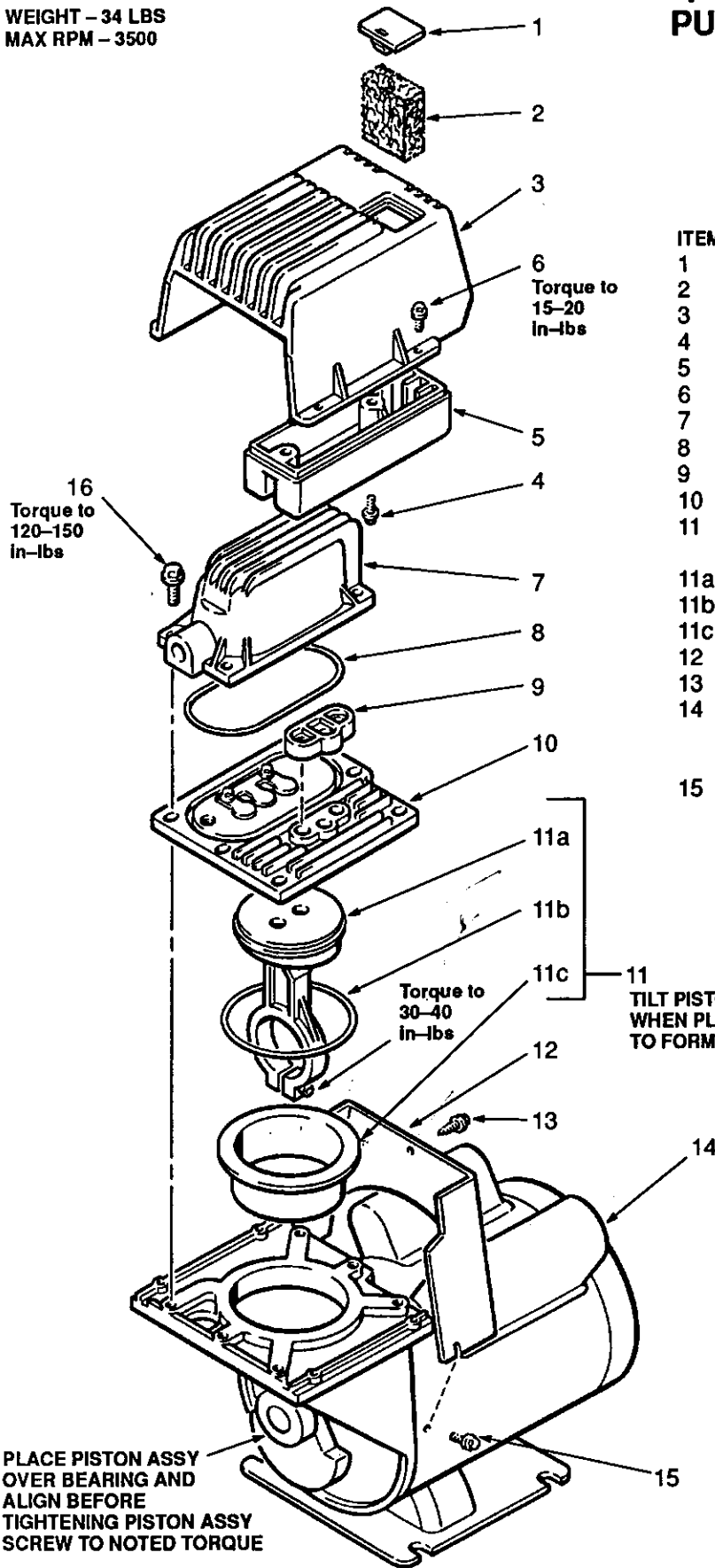
SERVICE KITS AVAILABLE

| PART NO | DESCRIPTION |
|----------|---|
| 141-0156 | OVERHAUL KIT includes items 2, 3, 5, 10, 12 & 14 |

PARTS DRAWING and LIST

PUMP SPECIFICATIONS

WEIGHT - 34 LBS
MAX RPM - 3500



"F", "FL" & "FC" Series OILLESS PUMP/MOTOR ASSEMBLY

2 H.P. 040-0172 includes items 1-15

3 HP includes items 1-13, 15. *Motor item 14 is not available for service, replace with complete*

Pump/Motor Assembly for 3 1/2 HP

3 1/2 HP 040-0174 includes items 1-15

| ITEM | PART NO | DESCRIPTION | QTY |
|------|----------|--|-----|
| 1 | 077-0118 | COVER, filter | 1 |
| 2 | 019-0152 | FILTER, element | 1 |
| 3 | 077-0117 | COVER, pump | 1 |
| 4 | 061-0060 | SCREW, #8 -32 x 3/4" lg | 4 |
| 5 | 019-0151 | MANIFOLD, intake | 1 |
| 6 | 061-0061 | SCREW, #8 -32 x 3/8" lg | 4 |
| 7 | 117-0009 | MANIFOLD, exhaust | 1 |
| 8 | 054-0157 | O-RING, exhaust | 1 |
| 9 | 046-0231 | SEAL, intake | 1 |
| 10 | 043-0151 | VALVE PLATE ASSEMBLY | 1 |
| 11 | 048-0074 | PISTON & CYLINDER ASSEMBLY includes items 11a-11c | 1 |
| 11a | NA | .PISTON ASSEMBLY | |
| 11b | 054-0158 | .O-RING, cylinder | 1 |
| 11c | NA | .CYLINDER, hardened | 1 |
| 12 | 142-0077 | DUCT, cooling | 1 |
| 13 | 061-0055 | SCREW, #10 tapping x 1/2" lg | 1 |
| 14 | NA | MOTOR ASSEMBLY must be purchased as complete Pump/Motor assembly | 1 |
| 15 | 061-0062 | SCREW, 1/4" - 20 x 1" lg | 6 |

SERVICE KITS AVAILABLE

| PART NO | DESCRIPTION |
|----------|------------------------------------|
| 046-0234 | SEAL KIT includes items 8, 9 & 11b |

11
TILT PISTON ASSY (11a) SLIGHTLY
WHEN PLACING INTO CYLINDER (11c)
TO FORM LIPS ON SEAL

PLACE PISTON ASSY
OVER BEARING AND
ALIGN BEFORE
TIGHTENING PISTON ASSY
SCREW TO NOTED TORQUE