

AIR COMPRESSOR PARTS MANUAL

Form 200-1642 Rev. B

PORTABLE

V-TWIN CYLINDER ELECTRIC

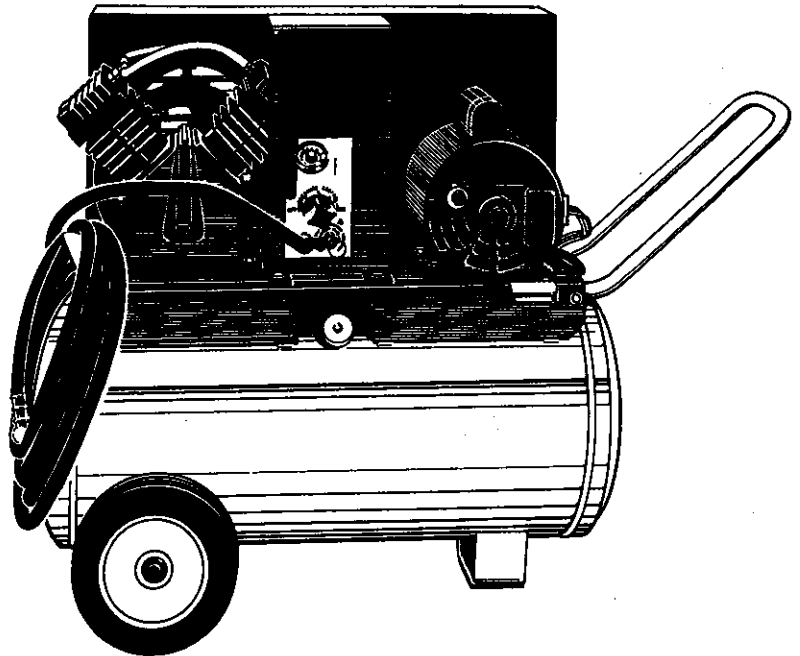
64 PUMP 1, 1½, 2 HORSEPOWER

MODELS:

64BL100 SERIES

64BL150 SERIES

89BL200 SERIES



SPECIFICATION CHART

HORSEPOWER	1	1½	2	2
MODEL NUMBER	64BL100-14	64BL150-14	89BL200-14	89BL200-22
VOLTAGE/AMPS/PHASE	115/15/1	115/15/1	115/15/1	115/15/1
AIR RECEIVER (TANK) CAPACITY	14 Gallons	14 Gallons	14 Gallons	22 Gallons
SCFM @ 40 PSI	5.2	5.6	6.3	6.3
SCFM @ 90 PSI	4.2	4.8	5.2	5.2
APPROXIMATE KICK-IN PRESSURE	90	90	90	90
APPROXIMATE KICK-OUT PRESSURE	120	120	120	120

Meets or exceeds Underwriters Laboratories Standards. The Manufacturer reserves the right to discontinue or change specifications at any time without incurring any obligations.

In the event you should have a question, or a concern, with the air compressor, **DO NOT** return it to the store where you purchased it. Most problems and concerns can be taken care of on the telephone!

Simply call the appropriate number listed below and discuss the concern with our trained Customer Service Department.

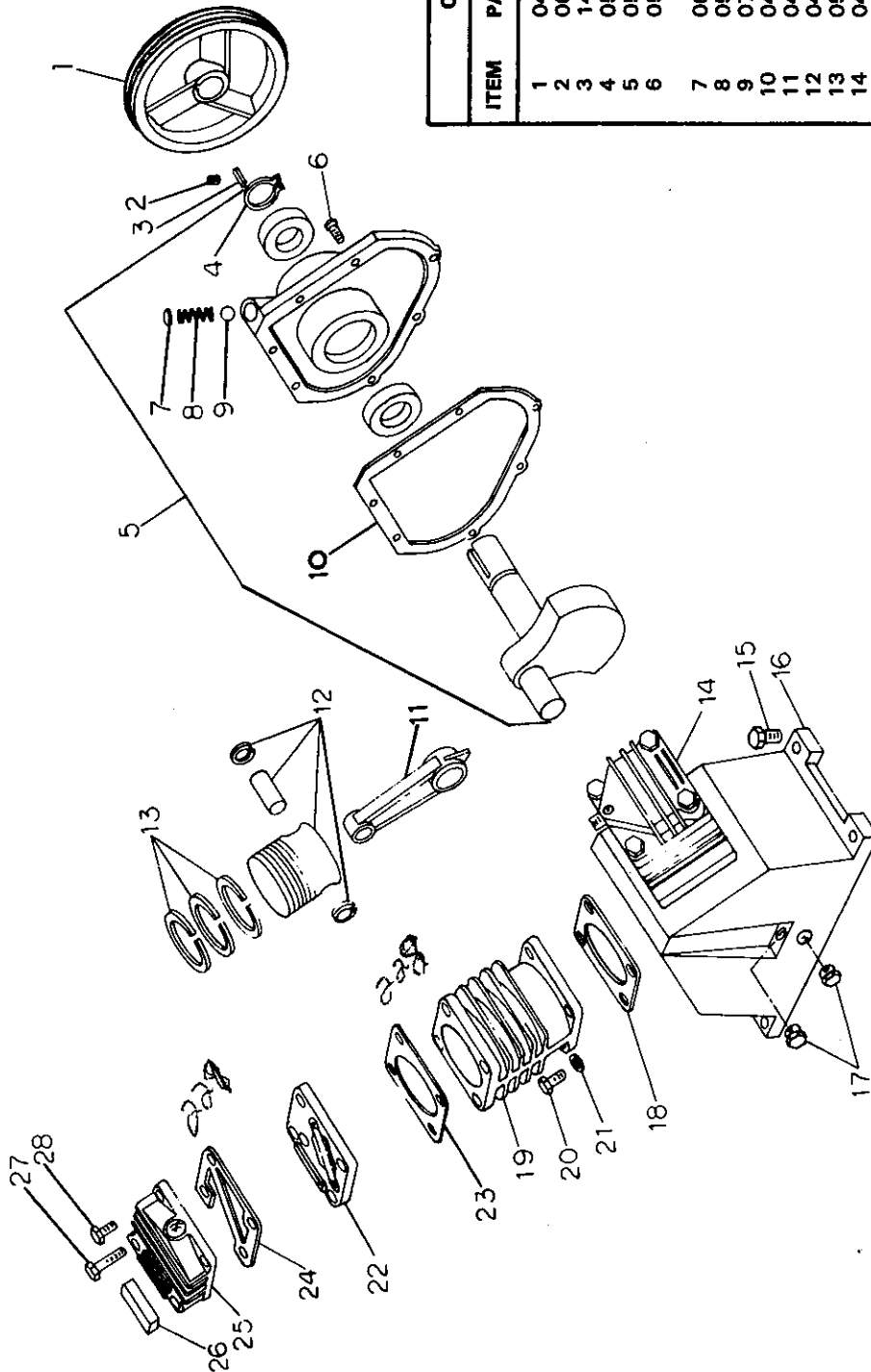
(800) 544-5145 (Toll Free)
(204) 947-1754 (In Canada)

Should you not be able to reach us at the above numbers, please check the Service Center Listing included with your instruction manual and call the Service Center nearest you for assistance.

CAUTION:

Read the operator's manual carefully before attempting to operate or service this unit! **FAILURE TO COMPLY WITH INSTRUCTIONS COULD RESULT IN: VOIDING OF YOUR WARRANTY, PERSONAL INJURY AND/OR PROPERTY DAMAGE!** These Air Compressors are precision built from the finest materials and with proper care and maintenance will perform efficiently.

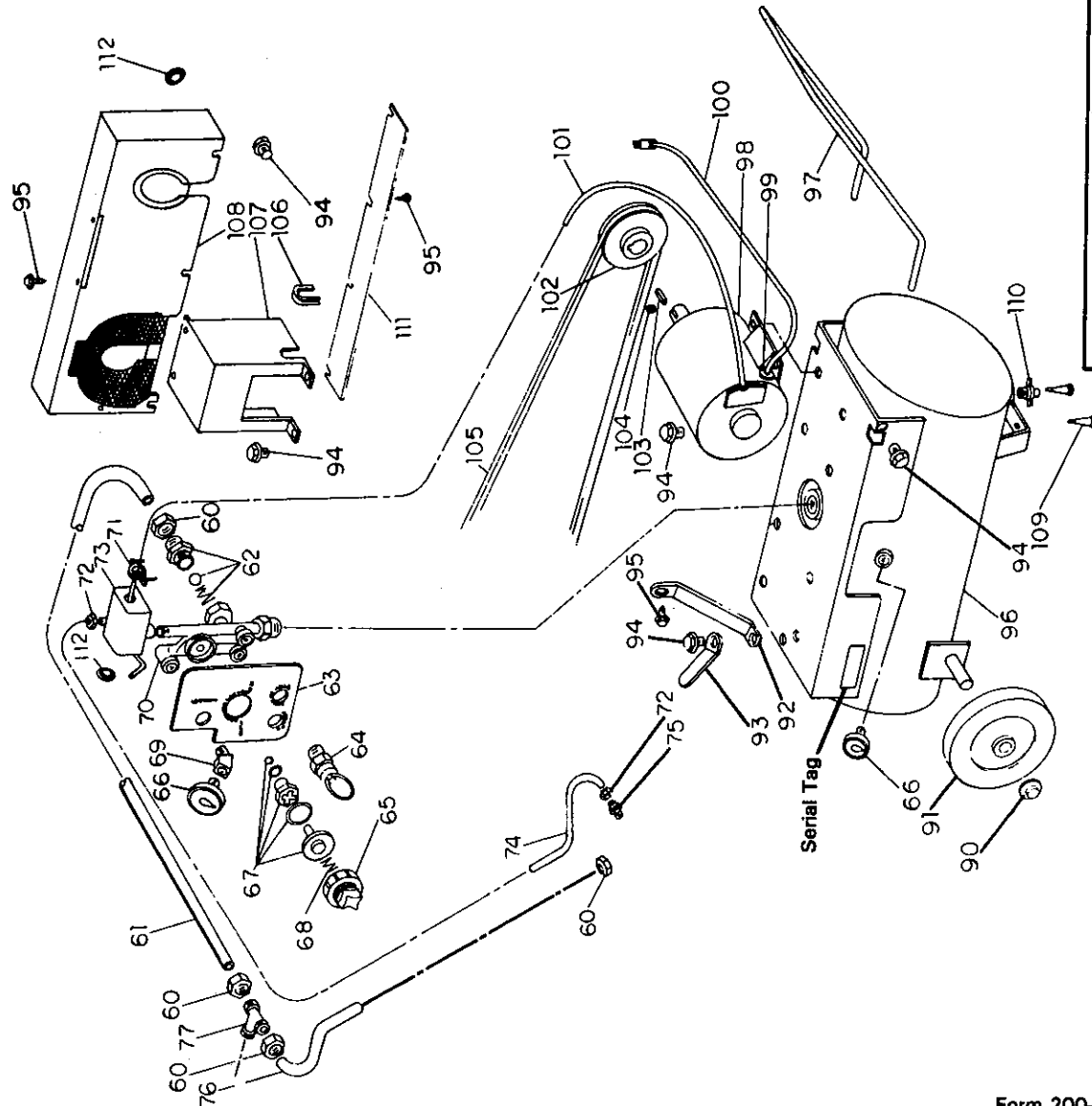
64 Pump Parts Breakdown



COMPRESSOR PUMP REPLACEMENT PARTS			
ITEM	PART NO.	DESCRIPTION	QTY.
1	044-0044	Flywheel 10"	1
2	061-0002	Set screw $\frac{3}{16}$ " - 18 x $\frac{1}{2}$ " long	1
3	146-0001	Key $\frac{3}{16}$ " sq x 1" long	1
4	054-0022	Retaining ring	1
5	053-0010	Bearing carrier crankshaft asy.	1
6	059-0027	Flat head cap screw	1
7	062-0021	$\frac{1}{4}$ " - 28 x $\frac{3}{4}$ " long	7
8	055-0008	Expansion plug $\frac{1}{2}$ "	1
9	079-0003	Breather spring	1
10	046-0010	Breather ball	1
11	047-0056	Bearing carrier gasket	1
12	048-0023	Connecting rod	2
13	054-0066	Piston assembly	2
14	042-0011	Complete ring set	1
15	059-0009	Head male discharge w/bleeder hole	1
16	049-0006	Bolt $\frac{3}{16}$ " - 18 x 1" long	4
17	062-0014	Crankcase	1
18	046-0011	Plug $\frac{1}{2}$ "	2
19	050-0006	Cylinder gasket	2
20	059-0001	Cylinder	2
21	103-0011	Bolt $\frac{3}{16}$ " - 18 x $\frac{3}{4}$ " long	8
22	043-0101	Bolt seal $\frac{3}{16}$ " I.D.	8
23	046-0229	Valve plate assembly	2
24	046-0228	Head gasket	2
25	042-0005	Valve plate gasket	2
26	019-0011	Head female discharge	1
27	059-0003	Inlet filter	2
28	059-0002	Bolt $\frac{3}{16}$ " - 18 x 1" long	4

ASSEMBLIES - KITS - SETS	
PART NO.	DESCRIPTION
040-0110	Complete pump assembly model 64
165-0016	Complete overhaul kit (includes ring and gasket sets, valve plate assemblies and filter elements).
046-0074	Complete gasket set
043-0102	Valve plate assembly (includes item #'s 22, 23 and 24)

64BL100, 64BL150, 89BL200 Series Tank Parts Breakdown



MISCELLANEOUS PARTS	
PART NO.	DESCRIPTION
012-0004	Hose 3/8" x 15' (not shown)
038-0002	Air chuck (on end of hose)
018-0007	Air compressor oil, SAE 30, 1 qt.
018-0008	Air compressor oil, SAE 10, 1 qt.

DIAL-O-MATIC REPLACEMENT PARTS

ITEM	PART NO.	DESCRIPTION	QTY.
60	058-0007	3/8" compression nut & sleeve	4
61	145-0003	Transfer tube 3/8" O.D.	1
62	139-0009	Check valve assembly	1
63	106-0001	Face plate	1
64	136-0036	135 lb. pressure relief valve	1
65	137-0001	Knob assembly	1
66	032-0001	Gauge 170 PSI 1/8" back connect	1
67	105-0004	Manifold repair kit	2
68	055-0005	Regulator spring	1
69	064-0028	1/8" NPT 45° brass street elbow	1
70	041-0003	Manifold	1
71	071-0002	Strain relief connector 3/8" metal	1
72	058-0017	3/4" compression nut	1
73	034-0059	Pressure switch	1
74	145-0008	Bleeder tube 1/4" O.D.	1
75	068-0002	Male connector	1
76	145-0004	1/8" NPT x 1/4" O.D. tube	1
77	069-0001	Transfer tube 3/8" O.D.	1
TANK ASSEMBLY REPLACEMENT PARTS			

ITEM	PART NO.	DESCRIPTION	QTY.
90	033-0001	Hub cap 1/2"	2
91	095-0010	Wheel 8" x 1.75"	2
92	114-0147	Belt guard bracket	1
93	114-0005	Hose bracket	1
94	059-0012	Lock bolt 3/16" - 18 x 1/2" long	11
95	061-0005	No. 10 sheet metal screw	10
96	127-0021	10 gallon tank assembly w/handle & wheels	1
97	128-0011	14 gallon tank assembly w/handle & wheels	1
98	130-0016	22 gallon tank assembly w/handle & wheels	1
99	112-0002	Handle	1
100	160-0108	1 HP motor	1
101	160-0102	1 1/2 HP motor	1
102	160-0107	2 HP motor	1
103	071-0002	Strain relief connector	1
104	026-0084	Power cord 1 1/2" x 6 1/2' long	1
105	026-0013	115 volt, 15 amp	1
106	006-0069	Interconnecting cord 1 1/2" x 34"	1
107	006-0080	Pulley 2.50 O.D. (1 HP models)	1
108	006-0087	Pulley 2.70 O.D. (1 1/2 HP models)	1
109	006-0087	Pulley 2.80 O.D. (2 HP models)	1
110	146-0016	Key 3/16" x 1" long	1
111	061-0006	Set screw 3/16" - 18 x 3/8" long	1
112	007-0021	V-belt 4L-500	1
113	093-0012	Grommet strip	1
114	117-0007	Manifold cover	1
115	142-0038	Belt guard assembly	1
116	094-0014	Vibration isolator	1
117	094-0014	1/2" petcock (tank drain)	2
118	125-0051	Belt guard bottom	1
119	093-0005	Button plug	4