
AIR COMPRESSOR PARTS MANUAL

PORTABLE

V-TWIN CYLINDER ELECTRIC

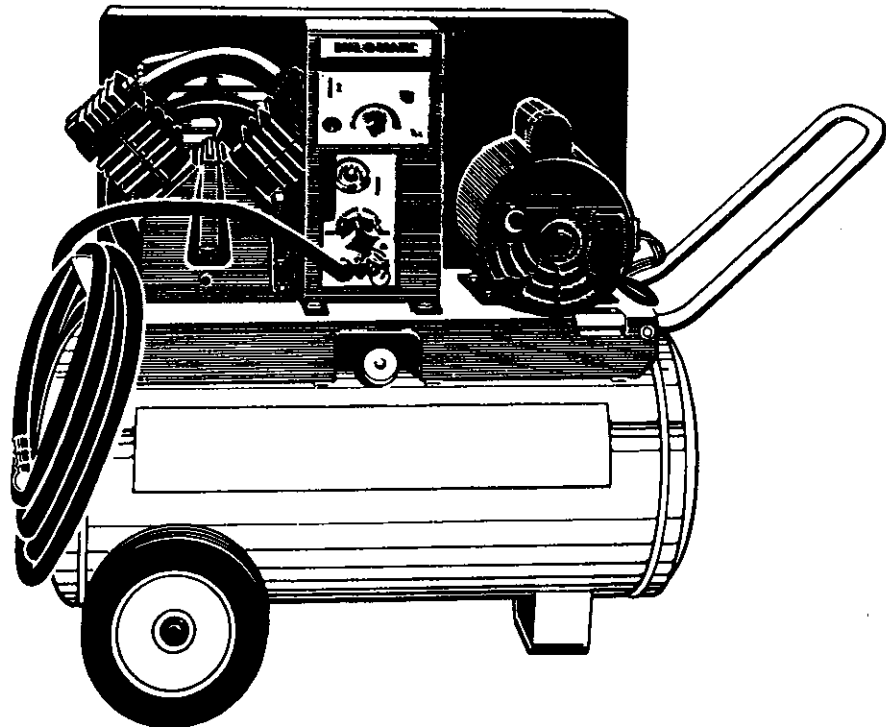
64 PUMP 1, 1½, 2 HORSEPOWER

64B100 SERIES

64B150 SERIES

89B200 SERIES

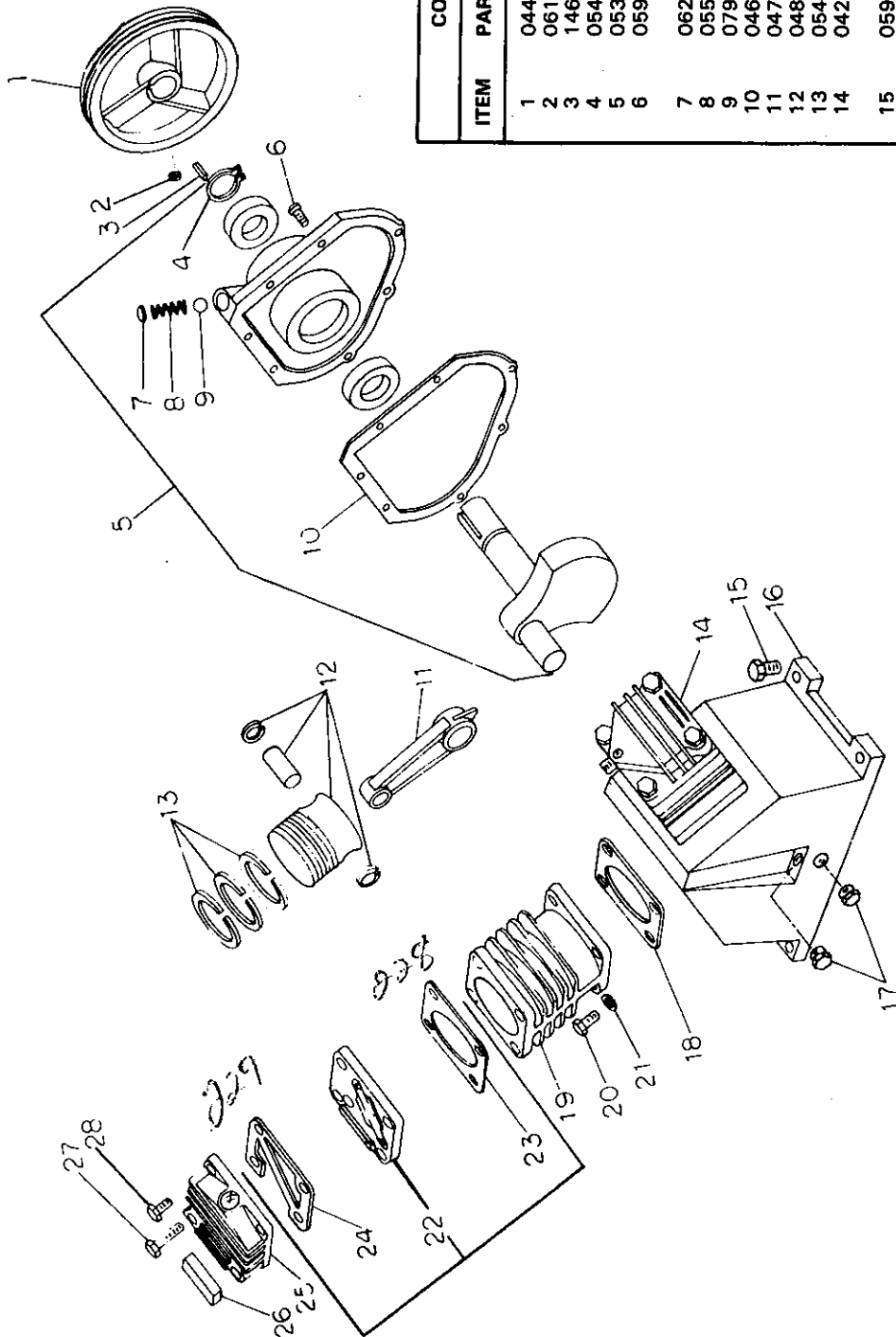
*Bolt seal
Taper down*



CAUTION:

Read the operator's manual carefully before attempting to operate or service this unit! FAILURE TO COMPLY WITH INSTRUCTIONS COULD RESULT IN: VOIDING OF YOUR WARRANTY, PERSONAL INJURY AND/OR PROPERTY DAMAGE! These Air Compressors are precision built from the finest materials and with proper care and maintenance will perform efficiently.

64 Pump Parts Breakdown W/9" Flywheel



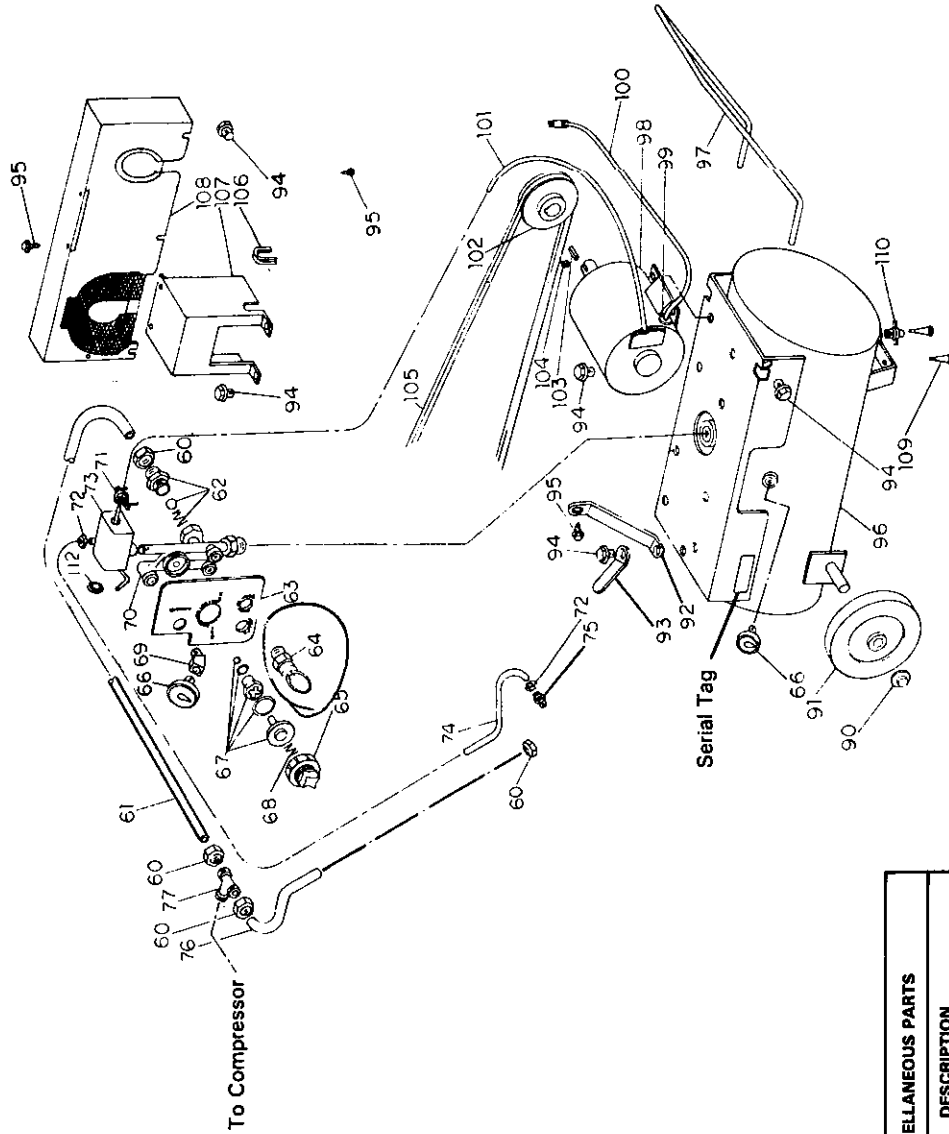
COMPRESSOR PUMP REPLACEMENT PARTS			
ITEM	PART NO.	DESCRIPTION	QTY.
1	044-0041	Flywheel 9"	1
2	061-0002	Set screw 3/16" - 18 x 1/2" long	1
3	146-0001	Key 3/16" SQ x 1" long	1
4	054-0022	Retaining ring	1
5	053-0010	Bearing carrier crankshaft asy.	1
6	059-0027	Flat head cap screw 1/4" - 28 x 3/4" long	7
7	062-0021	Expansion plug 1/2"	1
8	055-0008	Breather spring	1
9	079-0003	Bearing ball	1
10	046-0010	Bearing carrier gasket	1
11	047-0056	Connecting rod	2
12	048-0023	Piston assembly	2
13	054-0066	complete ring set	2
14	042-0011	Head male discharge w/bleeder hole	1
15	059-0009	Bolt 3/16" - 18 x 1" long	1
16	049-0006	Crankcase	4
17	062-0014	Plug 1/2"	1
18	046-0011	Cylinder gasket	2
19	050-0006	Cylinder	2
20	059-0001	Bolt 3/16" - 18 x 3/4" long	8
21	103-0011	Bolt seal 3/16" I.D.	8
22	043-0102	Valve plate assembly w/gaskets	2
23	046-0001	Head Gasket	2
24	046-0157	Valve plate gasket	2
25	042-0005	Head female discharge	1
26	019-0011	Inlet filter	2
27	059-0003	Bolt 3/16" - 18 x 1 1/4" long	4
28	059-0002	Bolt 3/16" - 18 x 1" long	4

ASSEMBLIES - KITS - SETS	
PART NO.	DESCRIPTION
040-0129	Complete pump assembly model 64
165-0016	Complete overhaul kit (includes ring and gasket sets, valve plate assemblies and filter elements).
046-0074	Complete gasket set

DIAL-A-MATIC REPLACEMENT PARTS			
ITEM	PART NO.	DESCRIPTION	QTY.
60	058-0007	3/16" compression nut & sleeve	4
61	145-0003	Transfer tube 3/16" O.D.	1
62	138-0009	Check valve assembly	1
63	108-0001	Face plate	1
64	138-0035	115 lb. non-code pressure relief valve for 1 and 1 1/2 HP non-code models	1
64	138-0036	135 lb. non-code pressure relief valve for 2 HP non-code models	1
64	138-0029	115 lb. ASME pressure relief valve for 1 and 1 1/2 HP ASME models	1
64	138-0037	135 lb. ASME pressure relief valve for 2 HP ASME models	1
65	137-0001	Knob Assembly	1
66	032-0001	Gauge 170 PSI 1/8" back connect	2
67	105-0004	Manifold repair kit	1
68	095-0005	Regulator spring	1
69	064-0028	1/8" NPT 45° brass street elbow	1
70	041-0003	Manifold	1
71	071-0002	Strain relief connector 3/8" metal	1
72	058-0017	1/4" compression nut	1
73	034-0015	Pressure switch for CSA models	1
73	034-0037	Pressure switch for 1 and 1 1/2 HP Domestic models	1
73	034-0038	Pressure switch for 2 HP Domestic models	1
74	145-0008	Bleeder tube 1/2" O.D.	1
75	068-0002	Male connector	1
76	145-0004	1/2" NPT x 1/2" O.D. tube	1
77	069-0001	Transfer tube 3/8" O.D.	1
77	069-0001	Tee connector	1

TANK ASSEMBLY REPLACEMENT PARTS			
ITEM	PART NO.	DESCRIPTION	QTY.
90	033-0001	Hub cap 3/4" (10 & 14 gallon)	2
90	033-0002	Hub cap 1/2" (22 gallon)	2
91	095-0010	Wheel 8" x 1.75" (10 & 14 gallon)	2
91	095-0014	Wheel 10" x 1.75" (22 gallon)	2
92	114-0008	Belt guard bracket	1
93	114-0005	Hose bracket	1
94	059-0012	Lock bolt 1/4" - 18 x 1/2" long	11
95	061-0005	No. 10 sheet metal screw	6
96	127-0023	10 gallon tank	1
96	128-0015	14 gallon tank	1
96	130-0014	22 gallon tank	1
97	112-0002	Handle	1
98	160-0086	1 HP motor (Domestic)	1
98	160-0007	1 HP motor (CSA)	1
98	160-0087	1 1/2 HP motor	1
98	160-0009	2 HP motor	1
99	071-0002	Strain relief connector	1
100	028-0084	Power cord 1/2 x 6 1/2' long	1
100	028-0034	Power cord 1/2 x 6' long	1
101	028-0013	115 volt, 20 amp, CSA models	1
101	028-0059	Interconnecting cord 1 1/2 x 34" CSA models	1
102	008-0005	Pulley 2" O.D. (1 HP models)	1
102	008-0008	Pulley 2.25 O.D. (1 1/2 HP models)	1
102	008-0089	Pulley 2.50 O.D. (2 HP models)	1
103	146-0001	Key 3/16" x 1" long	1
104	061-0008	Set screw 3/16" - 18 x 1/2" long	1
105	007-0011	V-belt 4L-470 (1 hp models)	1
105	007-0020	V-belt 4L-480 (1 1/2 & 2 hp models)	1
106	093-0012	Gronnmet strip	1
106	117-0007	Manifold cover	1
107	142-0056	Belt guard assembly	1
108	094-0014	Vibration isolator	2
110	072-0001	1/2" petcock (tank drain)	1

64B100, 64B150, 89B200 Series Tank Parts Breakdown



MISCELLANEOUS PARTS	
PART NO.	DESCRIPTION
012-0004	Hose 3/4" x 15' (not shown)
038-0002	Air chuck (on end of hose)
018-0007	Air compressor oil, SAE 30, 1 qt. (for use above 32°F)
018-0008	Air compressor oil, SAE 10, 1 qt. (for use below 32°F)