

SANBORN AIR COMPRESSORS

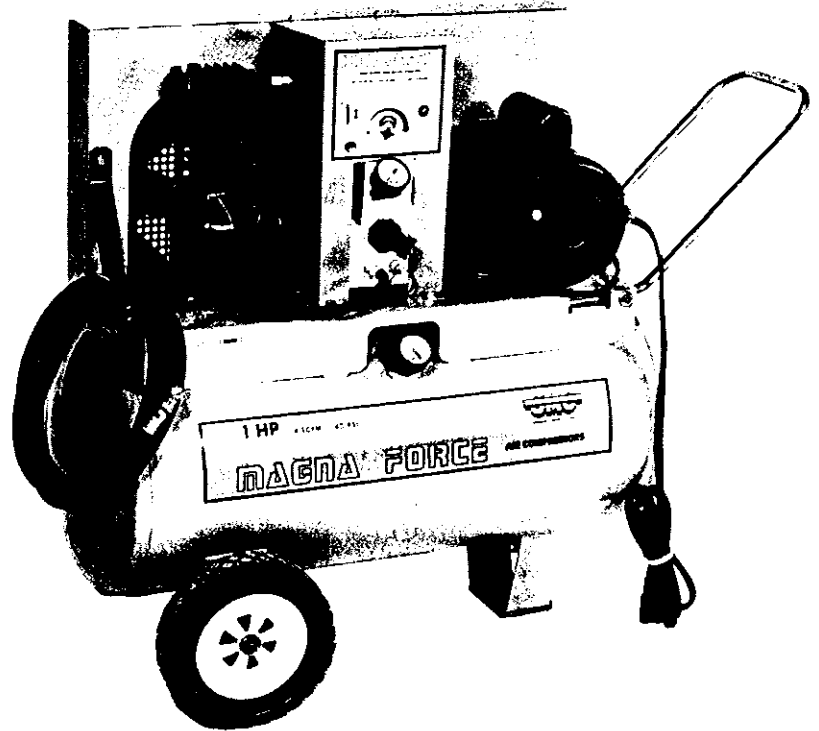
OPERATOR'S MANUAL

- OPERATION
- MAINTENANCE
- REPAIR PARTS

SERIES

44A75

44A100



CAUTION:

Read the operator's manual carefully before attempting to operate or service this unit! FAILURE TO COMPLY WITH INSTRUCTIONS COULD RESULT IN PERSONAL INJURY AND/OR PROPERTY DAMAGE! SANBORN Air Compressors are precision built from the finest materials and with proper care and maintenance will perform efficiently.

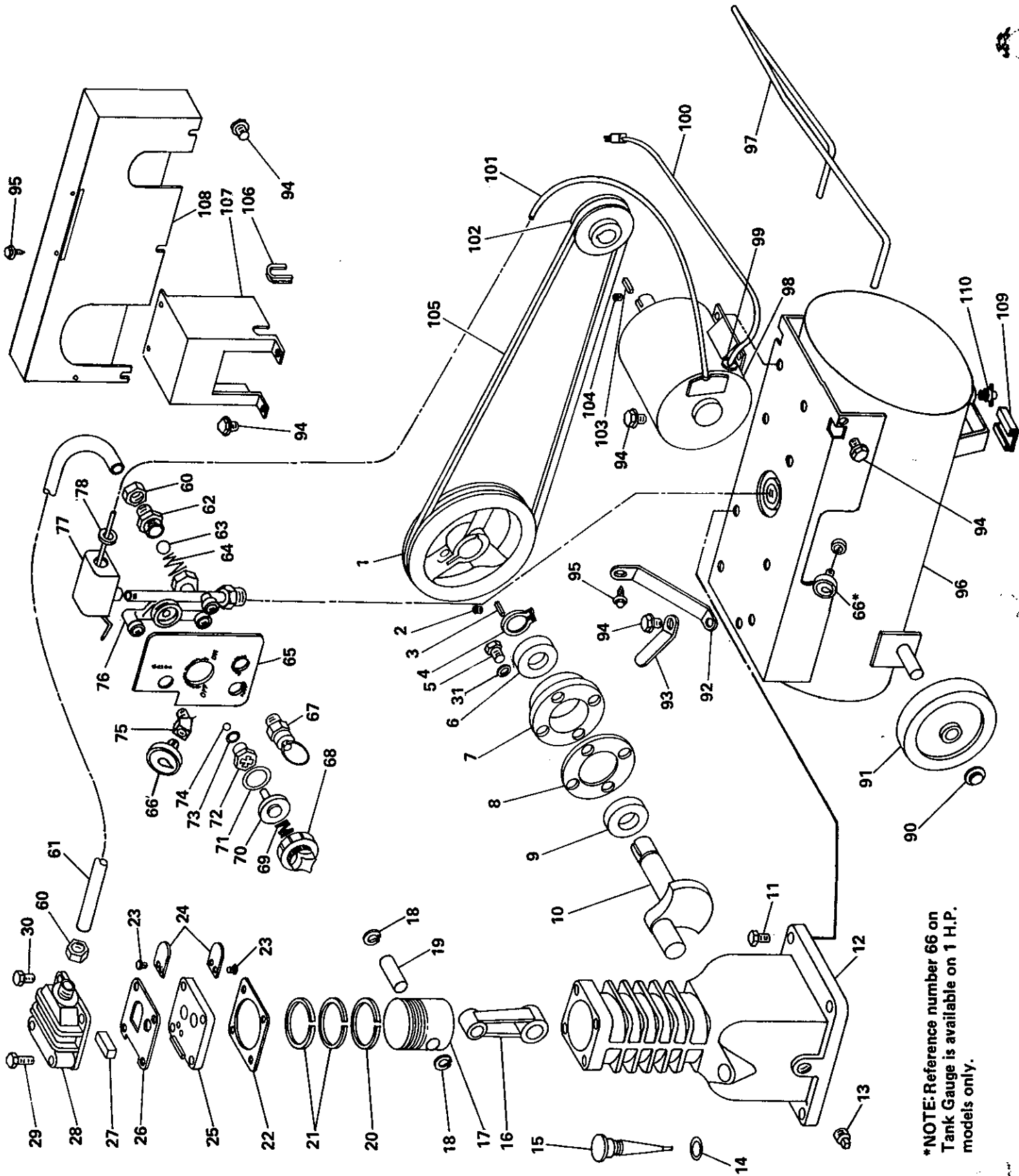
SINGLE CYLINDER, ELECTRIC MOTOR AIR COMPRESSOR

Please record the model and serial number and the date the unit was purchased in the spaces below. The model and serial numbers are located on the model plate below the pump. Retain this manual with these numbers for future reference.

Model No. _____

Serial No. _____

Date Purchased _____



*NOTE: Reference number 66 on Tank Gauge is available on 1 H.P. models only.

PARTS LIST

REF. NO.	PART NO.	DESCRIPTION	QUANT.
COMPRESSOR PUMP REPLACEMENT PARTS			
1	044-0004	Flywheel, 8" for Domestic models only	1
1	044-0017	Flywheel, 10" for CSA models only	1
2	061-0002	Allen set screw, 5/16"-18 x 1/2" long	1
3	146-0001	Key, 3/16" x 1" long	1
4	054-0001	Retaining ring	1
5	059-0001	Bolt, 5/16"-18 x 3/4" long	4
6	051-0002	Sealed bearing	1
7	045-0008	Bearing carrier	1
8	046-0004	Bearing carrier gasket	1
9	051-0001	Open bearing	1
10	053-0003	Crankshaft	1
11	059-0002	Bolt, 5/16"-18 x 1" long	4
12	041-0005	Block	1
13	062-0002	1/8" oil plug	1
14	054-0010	O-ring	1
15	056-0001	Dipstick with O-ring	1
16	047-0006	Connecting rod	1
17	048-0002	Piston	1
18	054-0009	Wrist pin retaining ring	2
19	052-0001	Wrist pin	1
20	054-0002	Oil control ring	1
21	054-0003	Compression ring	2
22	046-0001	Head gasket	1
23	061-0001	Reed valve screw	4
24	155-0001	Reed valve	2
25	043-0001	Valve plate	1
26	046-0003	Valve plate gasket	1
27	019-0011	Inlet filter	1
28	042-0003	Head, male discharge	1
29	059-0003	Bolt, 5/16"-18 x 1-3/4" long	2
30	059-0002	Bolt, 5/16"-18 x 1" long	2
31	103-0011	Bolt seal, 5/16" I.D.	4

REF. NO.	PART NO.	DESCRIPTION	QUANT.
TANK ASSEMBLY REPLACEMENT PARTS CONTINUED			
96	128-0001	14 gallon tank for 14 gallon models	1
97	112-0002	Handle	1
98	160-0003	Motor, 1 h.p. for 44A100 models	1
98	160-0008	3/4 h.p. for 44A75 models	1
99	071-0001	Strain relief connector for 44A75, Domestic models	1
99	071-0002	Strain relief connector for 44A100, Domestic models & for all CSA models	1
100	026-0004	Power cord, 16/3 x 6' for Domestic models	1
100	026-0006	Power cord, 14/3 x 6' for 44A100 Domestic models	1
100	026-0030	Power cord, 14/3 x 6' ST for CSA models	1
101	026-0013	Interconnecting cord, 14/2 x 34"	1
102	006-0005	Pulley, 2" O.D. for 44A100 Domestic models	1
102	006-0011	Pulley, 4" O.D. for 44A75 Domestic and CSA models	1
102	006-0009	Pulley, 3" O.D. for 44A100 CSA models	1
103	146-0001	Key, 3/16" x 1" long	1
104	061-0006	Set screw, 5/16" - 18 x 3/8" long	1
105	007-0022	V-belt, 4L-440 for 44A100 Domestic models	1
105	007-0010	V-belt, 4L-460 for 44A75 Domestic models	1
105	007-0012	V-belt, 4L-490 for 44A75 and 44A100 CSA models	1
106	093-0003	Grommet strip	1
107	117-0002	Manifold cover	1
108	142-0001	Belt guard assembly	1
108	142-0013	Belt guard assembly for CSA models only	1
109	094-0002	Vibration isolator	1
110	072-0001	1/4" Petcock (tank drain)	1

DIAL-O-MATIC REPLACEMENT PARTS			
60	058-0007	3/8" compression nut & sleeve	2
61	145-0002	Transfer tube, 3/8" O.D.	1
62	068-0008	Air adapter	1
63	079-0002	Ball seat	1
64	055-0007	Spring	1
65	106-0001	Face plate	1
66	032-0001	Gauge	2
67	136-0019	Pressure relief valve assembly for Domestic models	1
67	136-0022	ASME pressure relief valve for all ASME models	1
68	137-0001	Knob assembly	1
69	055-0005	Regulator spring	1
70	078-0001	Regulator piston	1
71	054-0007	O-ring	1
72	105-0002	Guide	1
73	054-0040	O-ring	1
74	079-0005	Ball, 1/4"	1
75	064-0028	1/8" NPT 45° Brass street elbow	1
76	041-0003	Manifold	1
77	034-0027	Pressure switch	1
77	034-0007	Pressure switch for CSA models only	1
78	093-0001	Rubber grommet	1
78	071-0002	Strain relief connector for CSA models only	1

TANK ASSEMBLY REPLACEMENT PARTS			
90	033-0001	Hub cap, 1/2" for all 10, 12, and 14 gallon models	2
91	095-0004	Wheel, 8" x 1.75 plastic for all 10, 12, and 14 gallon models	2
92	114-0006	Belt guard bracket	1
93	114-0005	Hose bracket	1
94	059-0012	Lock bolt, 5/16" - 18 x 1/2" long	1
95	061-0005	No. 10 sheet metal screw	3
96	127-0001	10 gallon tank for 44A75 models	1
96	127-0019	10 gallon tank for 44A100 models	1
96	151-0001	12 gallon ASME tank for 12 gallon models	1

ASSEMBLIES AND MISCELLANEOUS PARTS			
040-0016		Pump assembly, model 44 SANBORN, Domestic	
040-0019		Pump assembly, model 44 SANBORN, CSA	
165-0011		Overhaul kit (includes gasket set, filters, valves with screws and ring set)	
054-0037		Complete set of rings	
046-0050		Complete set of gaskets	
043-0013		Valve plate assembly (ref. nos. 22-26)	
048-0023		Piston w/rings & pins (ref. nos. 17-21)	
042-0015		Cylinder head assembly (ref. nos. 22-28)	
053-0011		Bearing carrier assembly (ref. nos. 4,6-10, & 31)	
012-0005		Hose, 1/4" x 15' long	
038-0002		Air chuck	
018-0007		Air compressor oil, SAE 30. Recommended for use above 20° F. 1 quart.	
018-0008		Air compressor oil, SAE 10. Recommended for use below 20° F. 1 quart.	